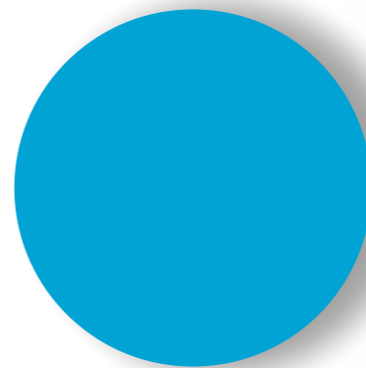


CLAMPS / CRAMPS FOR WOOD

WORLD ASSOCIATION OF TECHNOLOGY TEACHERS <https://www.facebook.com/groups/254963448192823/> www.technologystudent.com © 2023 V.Ryan © 2023

TO ANSWER ALL THE QUESTIONS YOU WILL NEED TO
DOWNLOAD THE “ CLAMPS / CRAMPS FOR WOOD” APP, FROM
THE INTERACTIVE MOBILE APP SECTION OF
www.technologystudent.com

**CLICK ON THE
BUTTON
TO DOWNLOAD
THE APP**



Once you have downloaded the App, you can use it to navigate the website. You may need to follow the links on each page of the App, to research / complete answers to all the questions.

IF YOU ARE AN EDUCATOR, CONSIDER JOINING US AT FACEBOOK – WORLD ASSOCIATION OF TECHNOLOGY TEACHERS

<https://www.facebook.com/groups/254963448192823/>

G-CRAMP AND HANDSCREW CLAMP

TO ANSWER ALL THE QUESTIONS YOU WILL NEED TO DOWNLOAD THE 'CLAMPS / CRAMPS FOR WOOD' APP, FROM THE INTERACTIVE MOBILE APP SECTION OF www.technologystudent.com

LINK

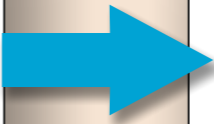
<https://www.technologystudent.com/mobapps/clamping-woods1.pdf>

Once you have downloaded the App, you can use it to navigate the website. You may need to follow the links on each page of the App, to research / complete answers to all the questions.

ARE YOU READY?
USE THE MOBILE App!!

1

WHAT ARE G CRAMPS? DESCRIBE AN EXAMPLE OF THEIR USE.



SKETCH THE USE OF A G CRAMP, YOU DESCRIBED IN THE PREVIOUS BOX.

2

THE HANDSCREW CLAMP



3

WHAT IS A HANDSCREW CLAMP? (Shown opposite)

3

SKETCH ONE EXAMPLE OF THE PRACTICAL USE OF A HANDSCREW CLAMP.

HELPFUL LINK: <https://www.technologystudent.com/mobapps/clamping-woods1.pdf>

SASH CLAMPS

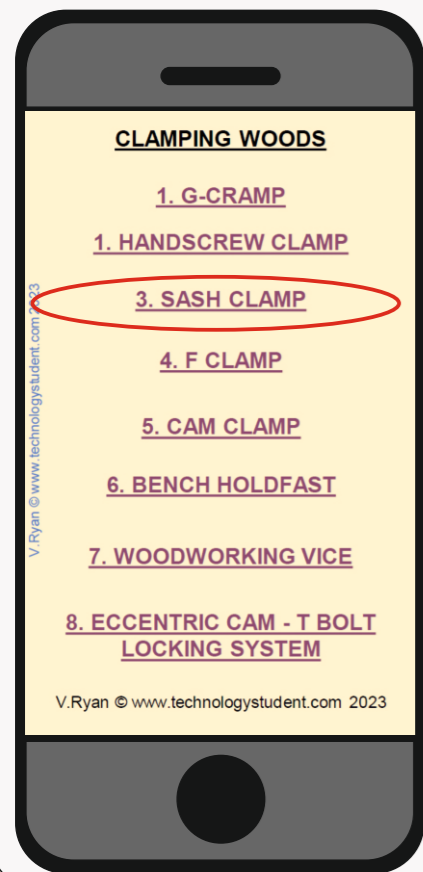
TO ANSWER ALL THE QUESTIONS YOU WILL NEED TO DOWNLOAD THE 'CLAMPS / CRAMPS FOR WOOD' APP, FROM THE INTERACTIVE MOBILE APP SECTION OF www.technologystudent.com

LINK

<https://www.technologystudent.com/mobapps/clamping-woods1.pdf>

Once you have downloaded the App, you can use it to navigate the website. You may need to follow the links on each page of the App, to research / complete answers to all the questions.

**ARE YOU READY?
USE THE MOBILE App!!**



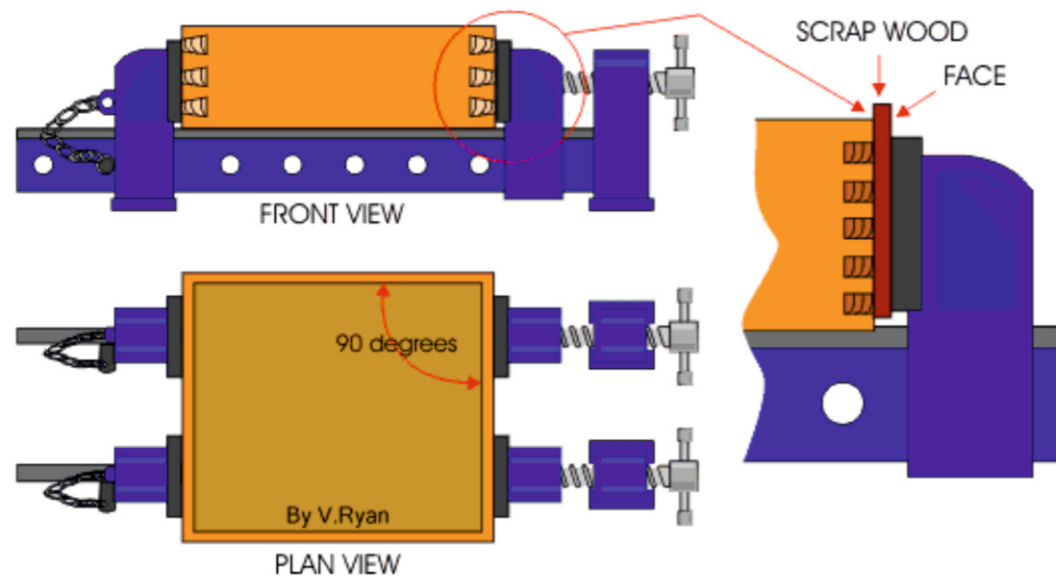
1

WHAT IS A SASH CLAMP?

SKETCH A SASH CLAMP OR PASTE AN IMAGE. LABEL THE PARTS.

2

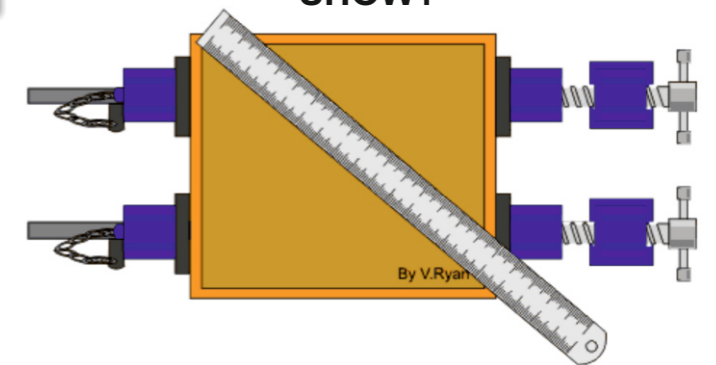
ONE PRACTICAL USE OF SASH CLAMPS



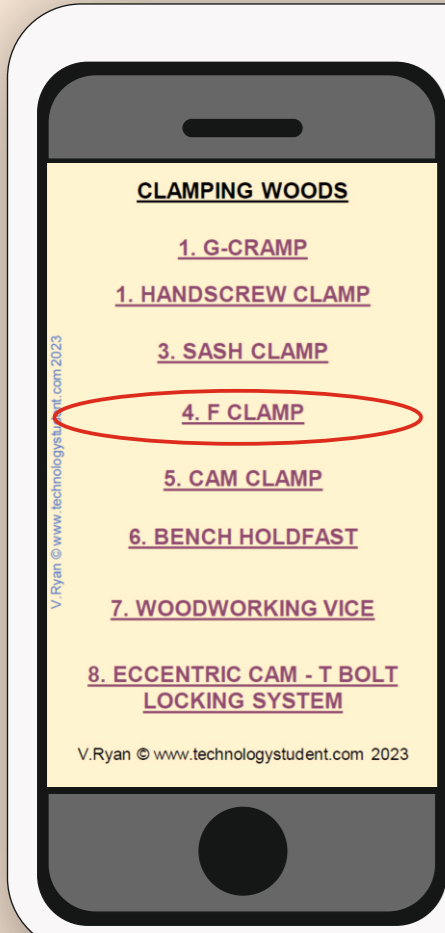
EXPLAIN THE PRACTICAL USE OF SASH CLAMPS, SHOWN OPPOSITE.

3

WHAT DOES THE DIAGRAM BELOW SHOW?



HELPFUL LINK: <https://www.technologystudent.com/mobapps/clamping-woods1.pdf>



F CLAMPS

TO ANSWER ALL THE QUESTIONS YOU WILL NEED TO DOWNLOAD THE 'CLAMPS / CRAMPS FOR WOOD' APP, FROM THE INTERACTIVE MOBILE APP SECTION OF www.technologystudent.com

LINK

<https://www.technologystudent.com/mobapps/clamping-woods1.pdf>

Once you have downloaded the App, you can use it to navigate the website. You may need to follow the links on each page of the App, to research / complete answers to all the questions.

**ARE YOU READY?
USE THE MOBILE App!!**

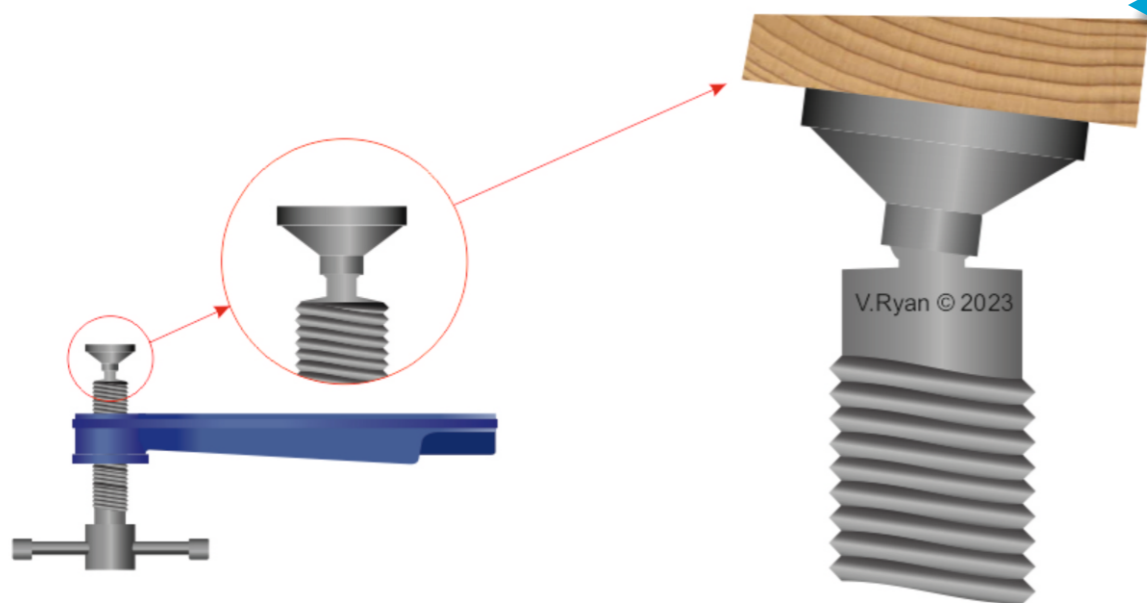
1

WHAT IS AN F CLAMP?

SKETCH AN F CLAMP OR PASTE AN IMAGE. LABEL THE PARTS

2

SWIVEL SHOE

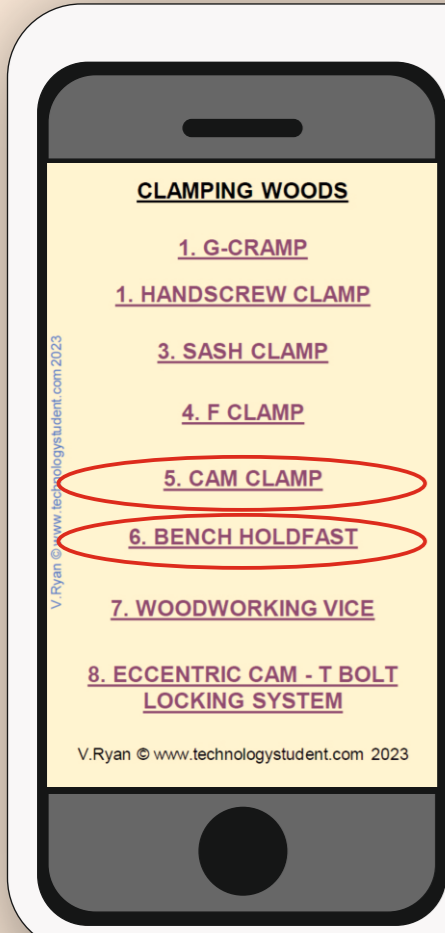


EXPLAIN THE PRACTICAL REASON BEHIND THE F CLAMP'S SWIVEL SHOE.

3

SKETCH ONE EXAMPLE OF THE PRACTICAL USE OF AN F CLAMP

HELPFUL LINK: <https://www.technologystudent.com/mobapps/clamping-woods1.pdf>



THE CAM CLAMP AND BENCH HOLDFAST

TO ANSWER ALL THE QUESTIONS YOU WILL NEED TO DOWNLOAD THE 'CLAMPS / CRAMPS FOR WOOD' APP, FROM THE INTERACTIVE MOBILE APP SECTION OF www.technologystudent.com

LINK

<https://www.technologystudent.com/mobapps/clamping-woods1.pdf>

Once you have downloaded the App, you can use it to navigate the website. You may need to follow the links on each page of the App, to research / complete answers to all the questions.

**ARE YOU READY?
USE THE MOBILE App!!**

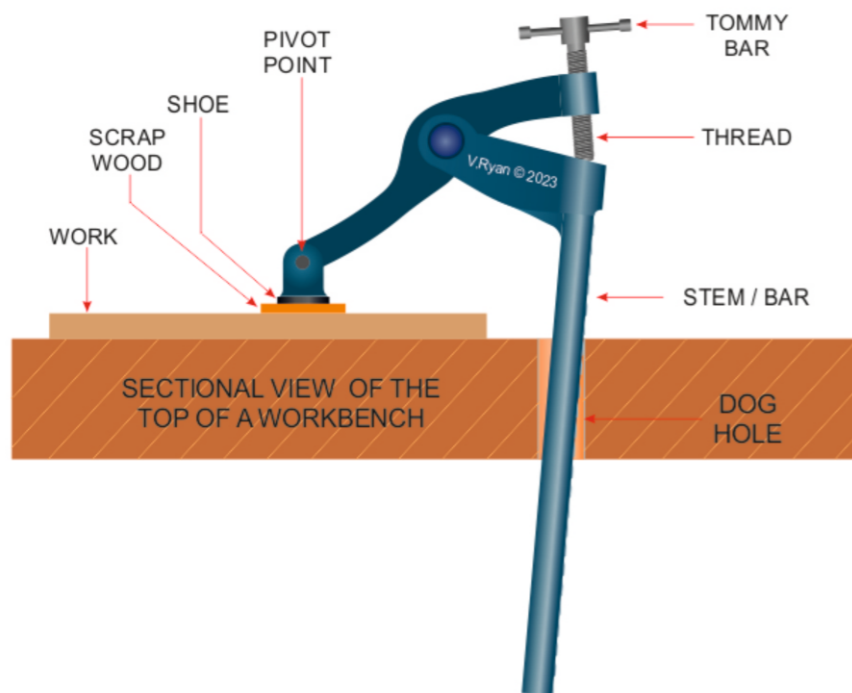
1

WHAT IS A CAM CLAMP?

SKETCH A CAM CLAMP OR PASTE AN IMAGE. LABEL THE PARTS.

2

TYPICAL BENCH HOLDFAST

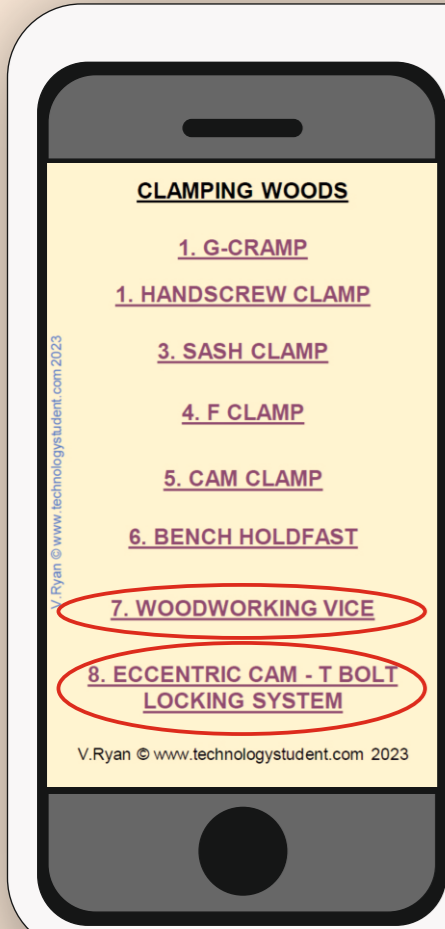


DESCRIBE THE MAIN FUNCTION OF A BENCH HOLDFAST.

3

SKETCH ONE EXAMPLE, OF THE USE OF A BENCH HOLDFAST.

HELPFUL LINK: <https://www.technologystudent.com/mobapps/clamping-woods1.pdf>



THE CAM CLAMP AND BENCH HOLDFAST

TO ANSWER ALL THE QUESTIONS YOU WILL NEED TO DOWNLOAD THE 'CLAMPS / CRAMPS FOR WOOD' APP, FROM THE INTERACTIVE MOBILE APP SECTION OF www.technologystudent.com

LINK

<https://www.technologystudent.com/mobapps/clamping-woods1.pdf>

Once you have downloaded the App, you can use it to navigate the website. You may need to follow the links on each page of the App, to research / complete answers to all the questions.

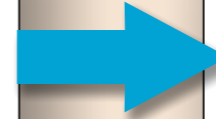
**ARE YOU READY?
USE THE MOBILE App!!**

1

DESCRIBE A TYPICAL USE OF A WOODWORKING VICE.

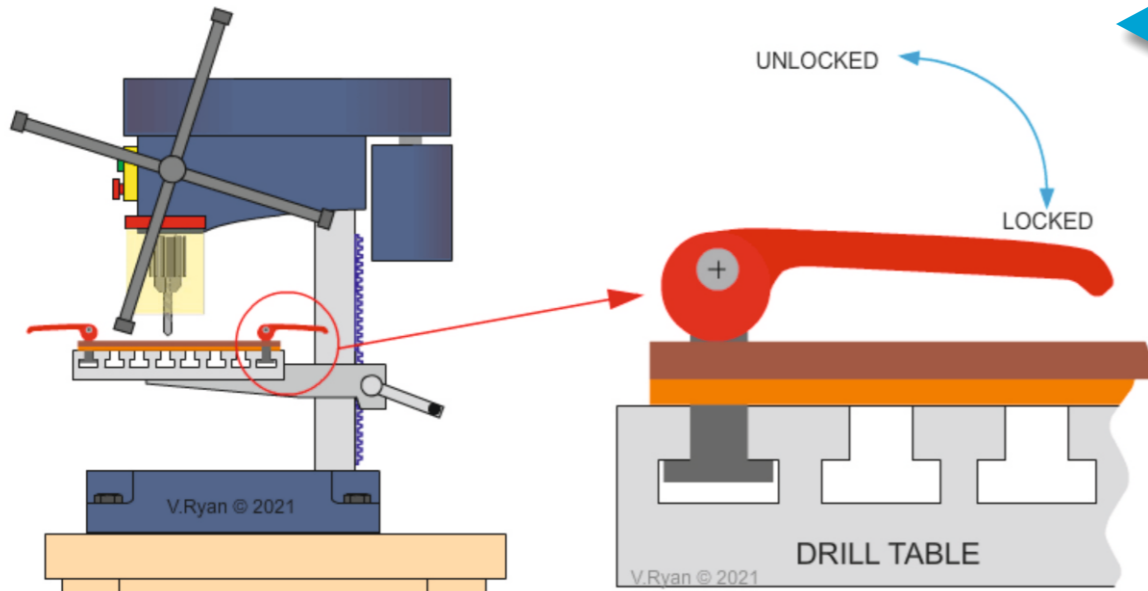
Support your answer with a sketch in the box opposite

YOUR SKETCH



2

ECCENTRIC CAM - T BOLT LOCKING SYSTEM



DESCRIBE THE FUNCTION OF THE T BOLT LOCKING SYSTEM SHOWN OPPOSITE.

3

PASTE AN IMAGE OF ANOTHER ECCENTRIC CAM LOCKING SYSTEM.

HELPFUL LINK: <https://www.technologystudent.com/mobapps/clamping-woods1.pdf>