

# CASTING

V.Ryan © 2000 - 2009

On behalf of The World Association of Technology Teachers

## W.A.T.T.



World Association of Technology Teachers

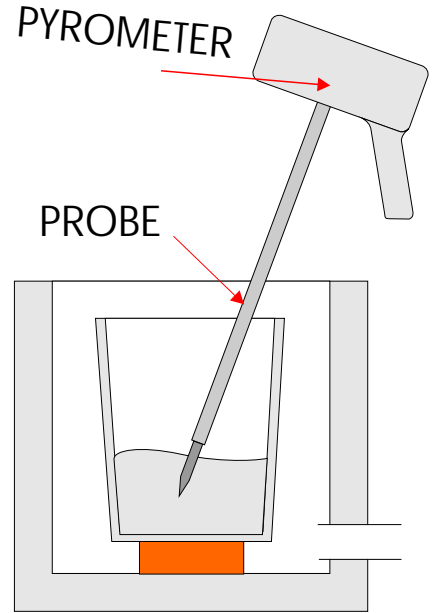
This exercise can be printed and used by teachers and students. It is recommended that you view the website ([www.technologystudent.com](http://www.technologystudent.com)) before attempting the design sheet .

THESE MATERIALS CAN BE PRINTED AND USED BY TEACHERS AND STUDENTS.  
THEY MUST NOT BE EDITED IN ANY WAY OR PLACED ON ANY OTHER MEDIA INCLUDING WEB SITES AND INTRANETS.  
NOT FOR COMMERCIAL USE.  
THIS WORK IS PROTECTED BY COPYRIGHT LAW.  
IT IS ILLEGAL TO DISPLAY THIS WORK ON ANY WEBSITE/MEDIA STORAGE OTHER THAN [www.technologystudent.com](http://www.technologystudent.com)

# CASTING

V.Ryan © 2009 World Association of Technology Teachers

Once the aluminium becomes molten, a procedure is followed which allows the operator to check the temperature of the aluminium and aids safe pouring of the metal.



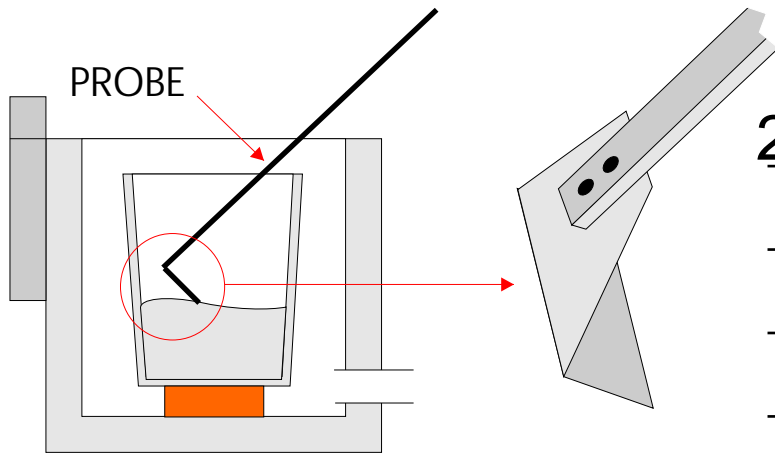
1.

---

---

---

---



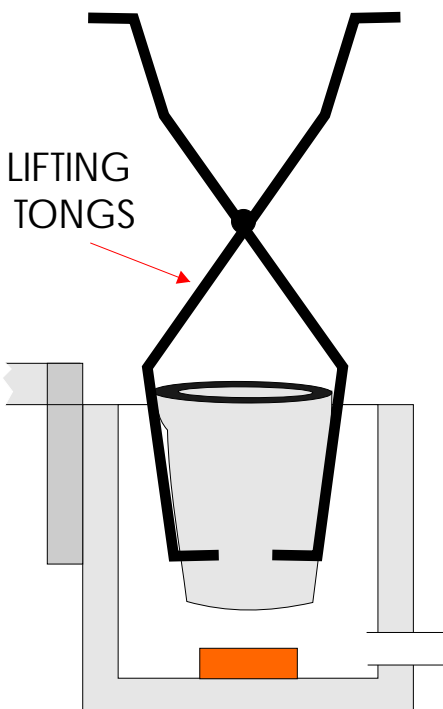
2.

---

---

---

---



3.

---

---

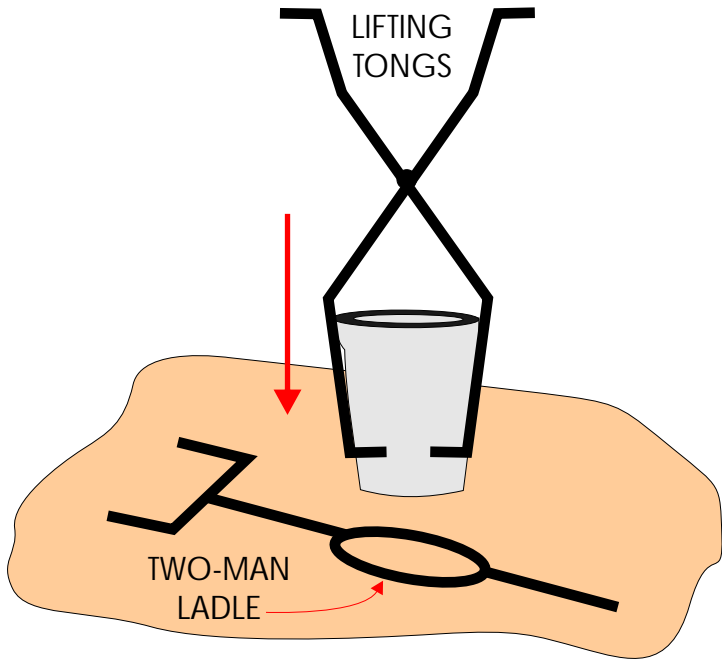
---

---



# CASTING

V.Ryan © 2009 World Association of Technology Teachers



4.

---

---

---

---

5.

---

---

---

---

