

GALVANISING STEEL AND IRON

V.Ryan © 2000 - 2009

On behalf of The World Association of Technology Teachers

W.A.T.T.



World Association of Technology Teachers

This exercise can be printed and used by teachers and students. It is recommended that you view the website (www.technologystudent.com) before attempting the design sheet .

THESE MATERIALS CAN BE PRINTED AND USED BY TEACHERS AND STUDENTS.
THEY MUST NOT BE EDITED IN ANY WAY OR PLACED ON ANY OTHER MEDIA INCLUDING WEB SITES AND INTRANETS.
NOT FOR COMMERCIAL USE.
THIS WORK IS PROTECTED BY COPYRIGHT LAW.
IT IS ILLEGAL TO DISPLAY THIS WORK ON ANY WEBSITE/MEDIA STORAGE OTHER THAN www.technologystudent.com

GALVANISING STEEL AND IRON

V.Ryan © 2009 World Association of Technology Teachers

1. Two steel objects are shown opposite. They have suffered from rust damage. Name a process that could prevent rust appearing on the surface of steel.



PROCESS: _____

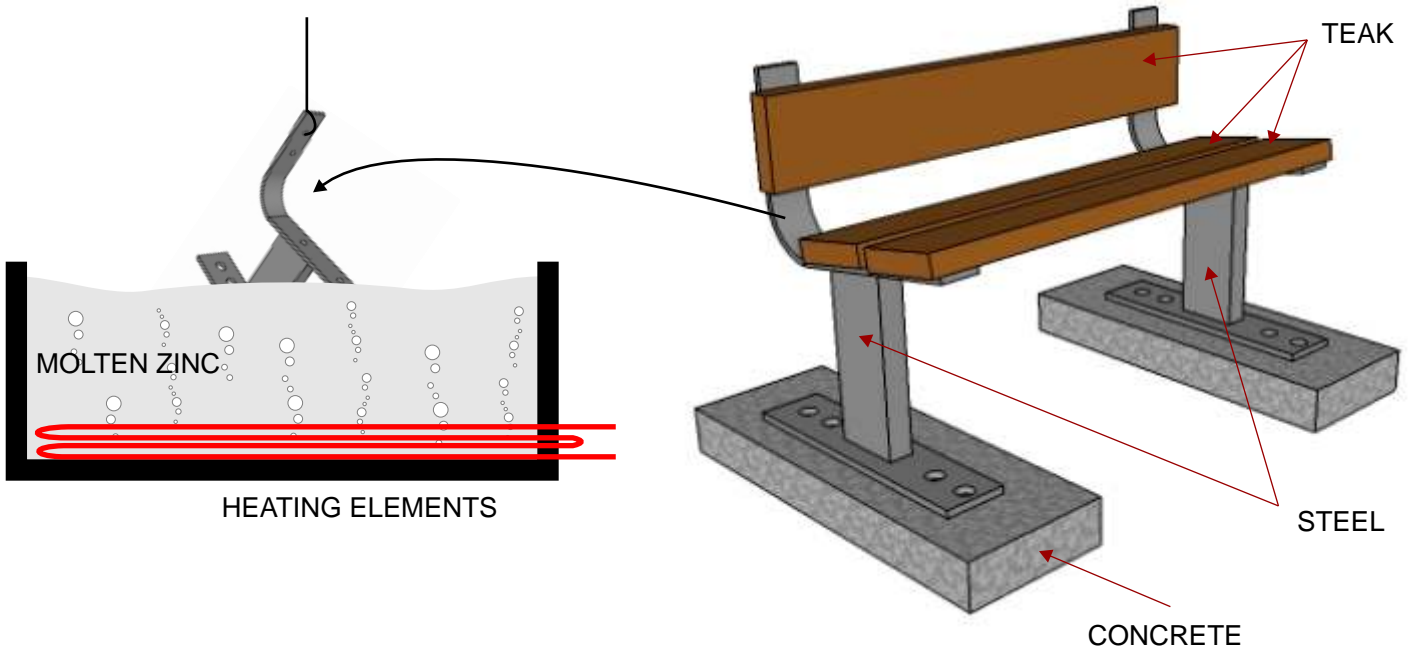
2. What conditions give rise to rust starting on the surface of a steel product?



3. The photograph shows a steel ring that has been galvanized to prevent rust. What does the term galvanized mean? How does it prevent rust?

The diagram below shows how the steel ends of an outside bench are galvanized. The aim is to prevent the steel from rusting.

Name the galvanising process that is taking place.
Describe / explain the process.



PROCESS NAME: _____

DESCRIPTION / EXPLANATION _____
