

AUXILIARY VIEWS - ORTHOGRAPHIC DRAWING

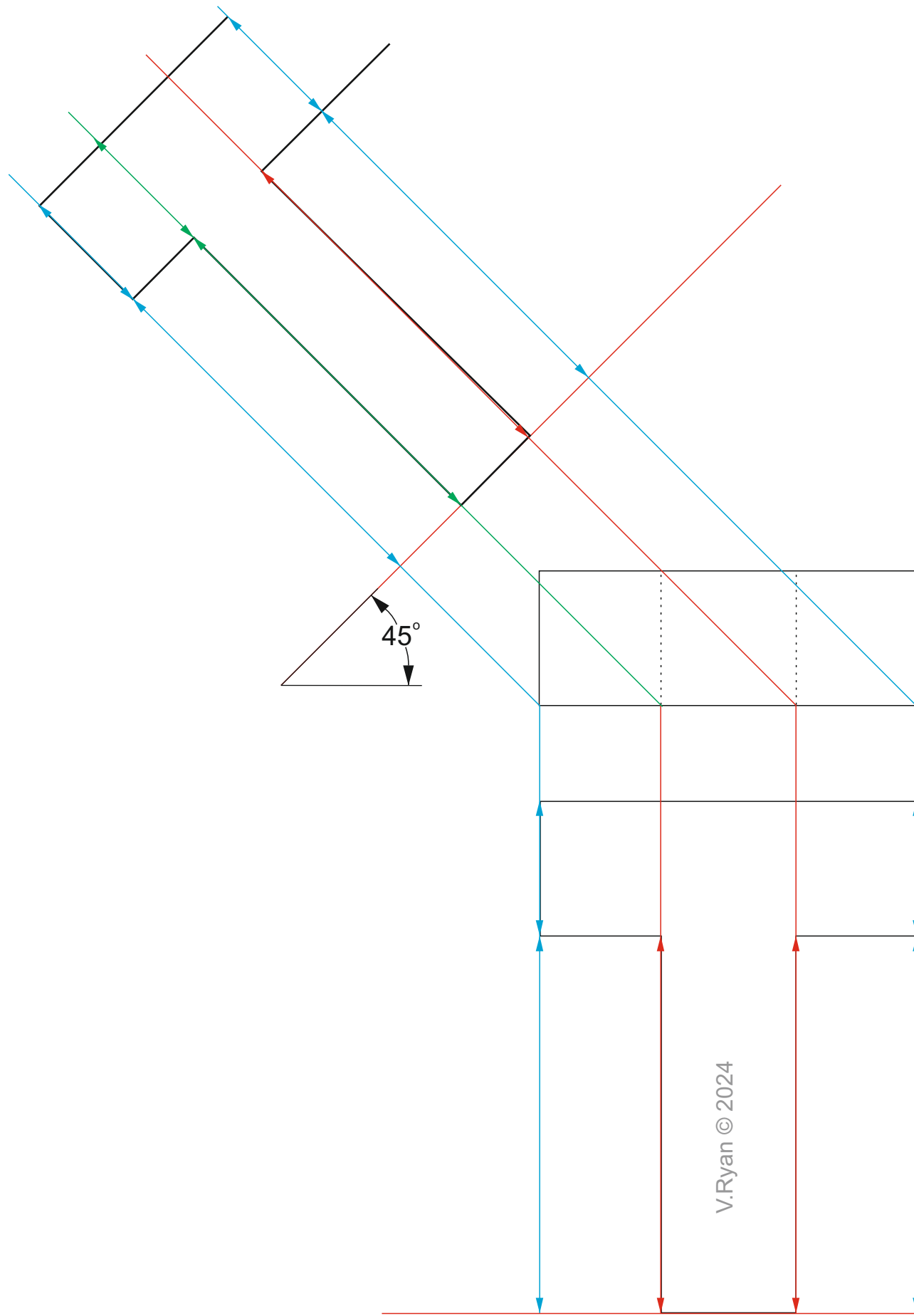
QUESTION

Complete the auxiliary view, of the 'T' shaped object shown opposite.
Details and dimensions of the object are shown on the right.

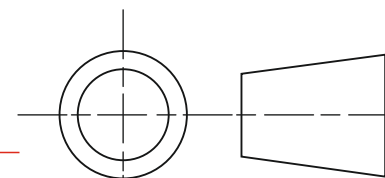
HELPFUL LINK:

https://technologystudent.com/despro_3/auxil1.html

HELPFUL LINK

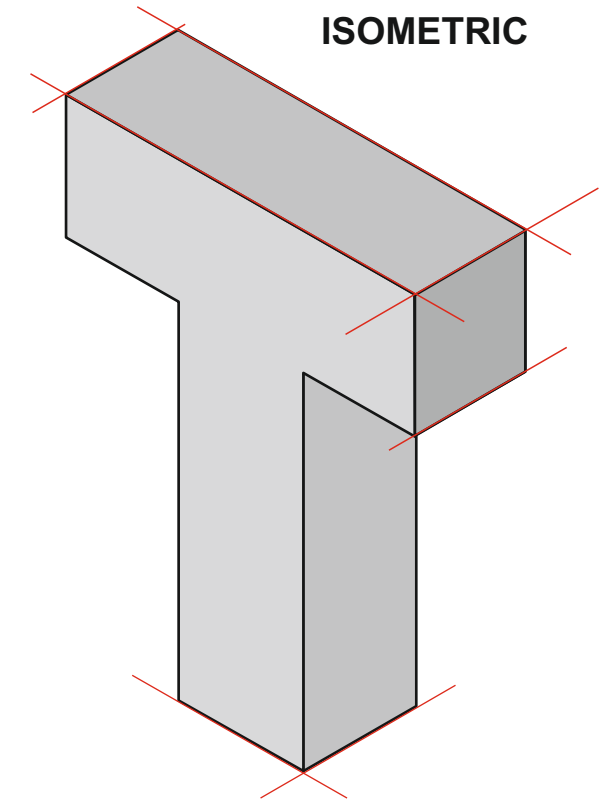


V.Ryan © 2024



THIRD ANGLE PROJECTION

ISOMETRIC



DIMENSIONS

(not drawn to scale)

