

AUXILIARY VIEWS - ORTHOGRAPHIC DRAWING

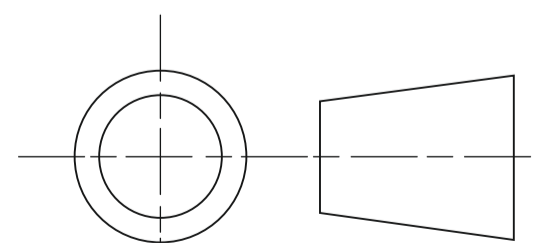
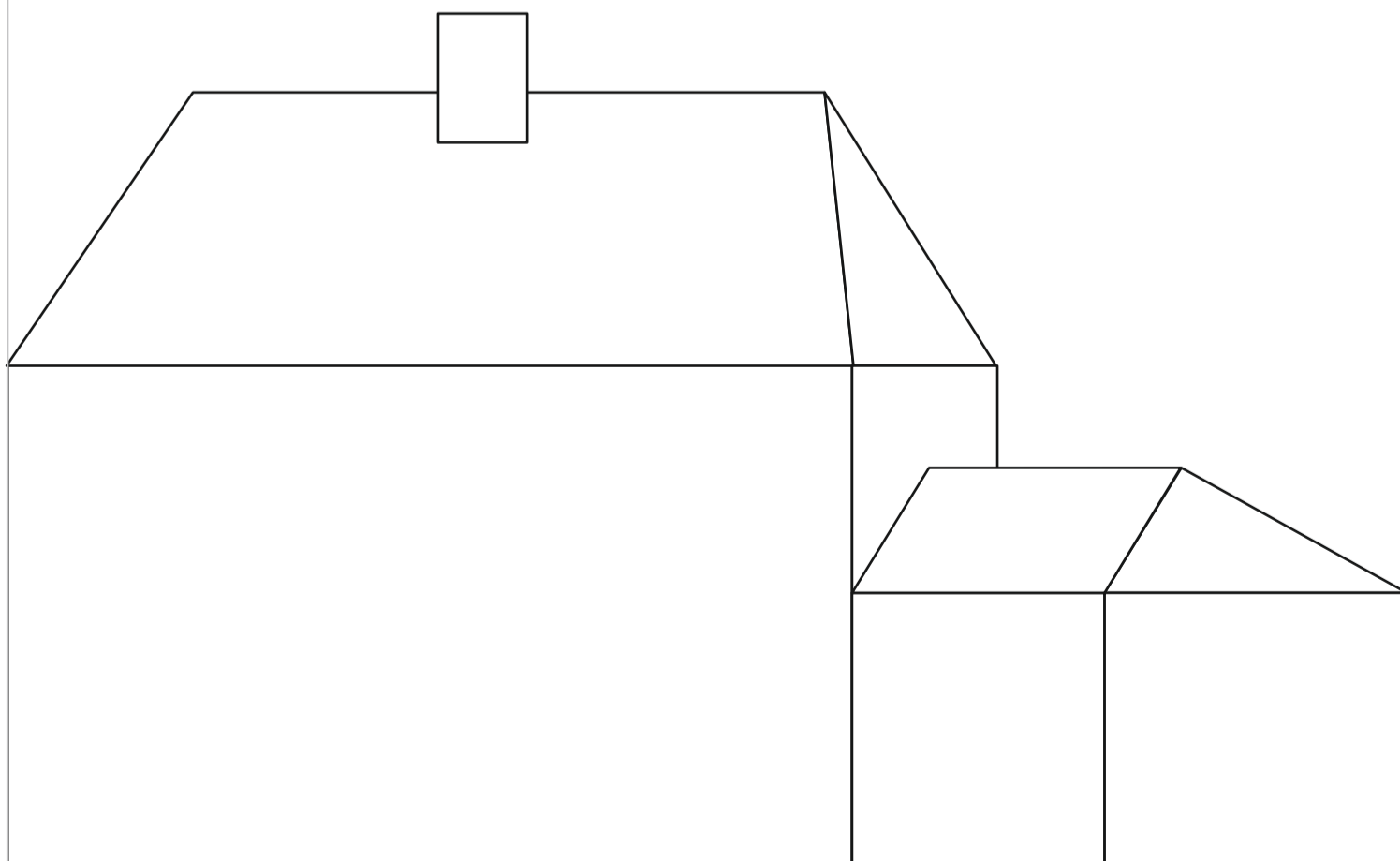
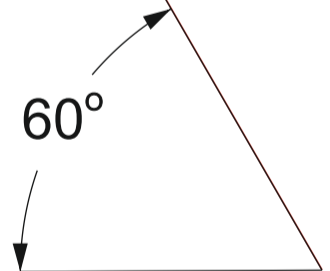
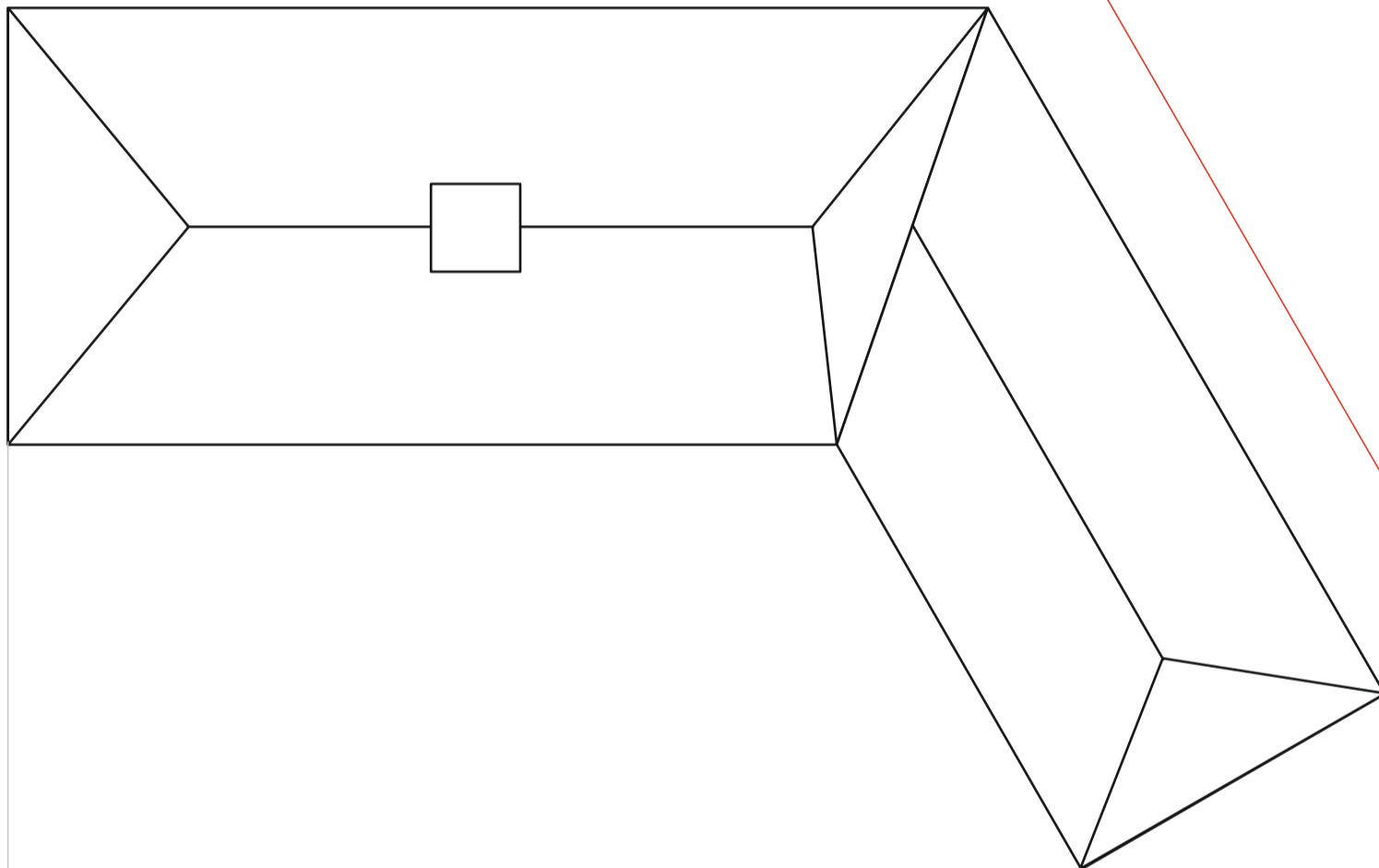
QUESTION

COMPLETE THE ORTHOGRAPHIC DRAWING OF THE HOUSE, BY ADDING THE AUXILIARY VIEW

HELPFUL LINK:

https://technologystudent.com/despro_3/auxil6.html

HELPFUL LINK



THIRD ANGLE PROJECTION