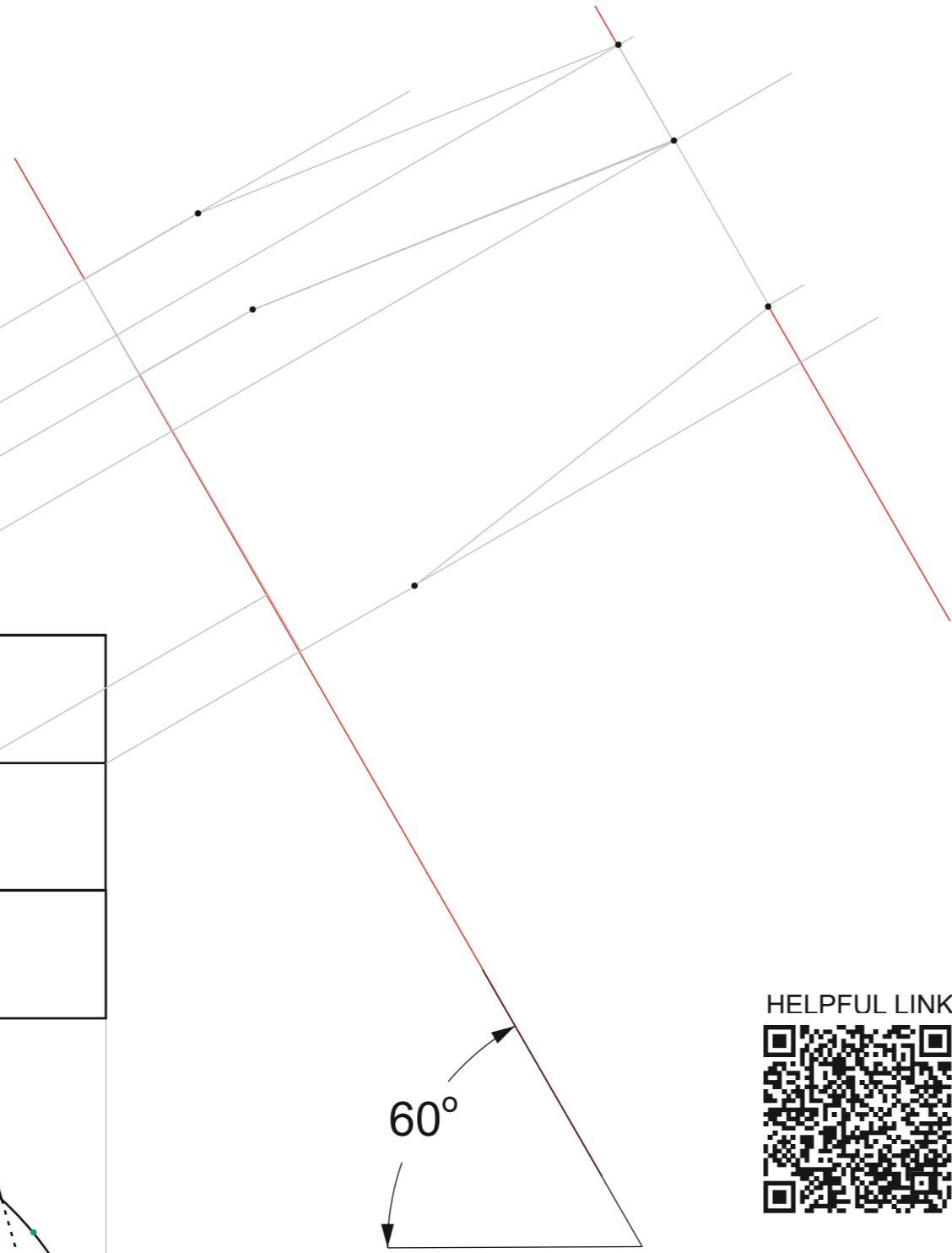
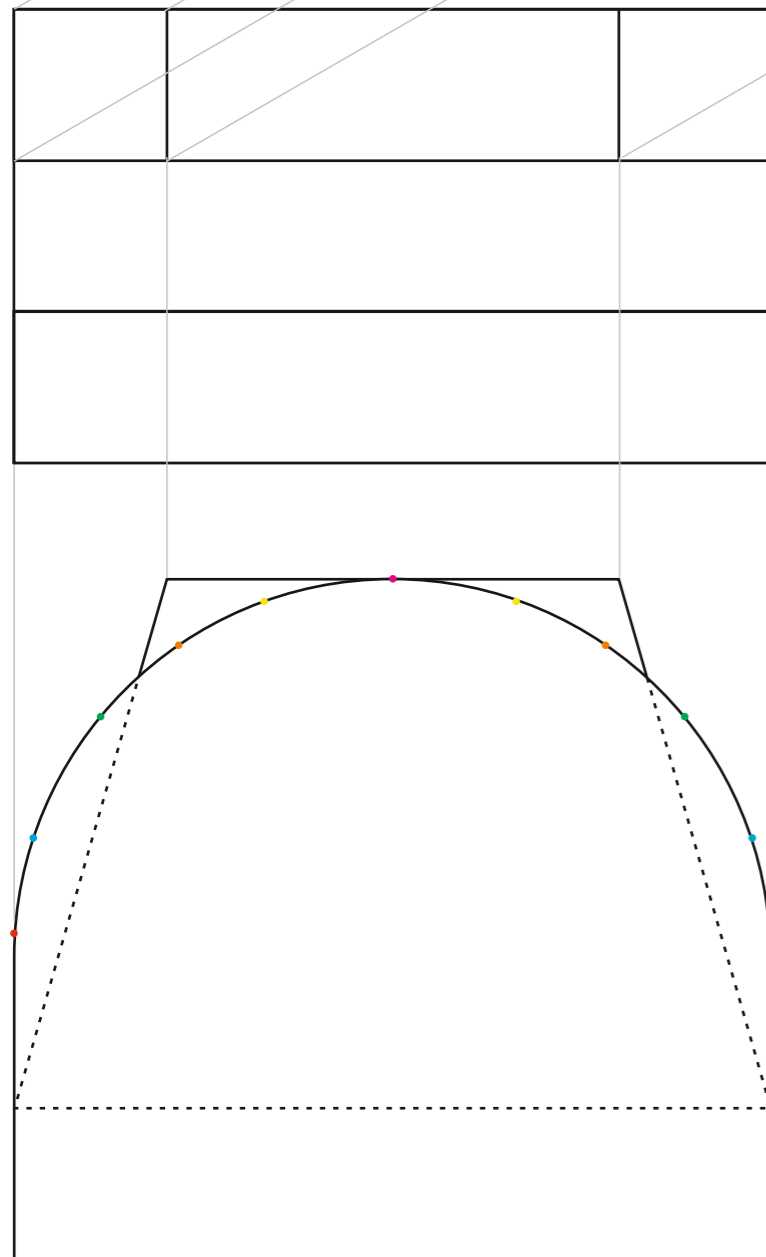


# AUXILIARY VIEWS - ORTHOGRAPHIC DRAWING

## QUESTION

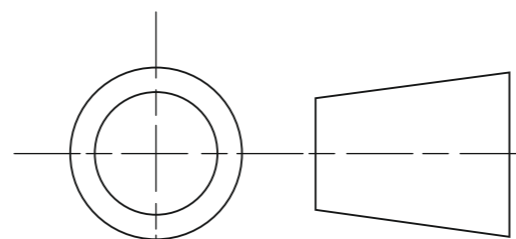
Complete the auxiliary view of the aluminium casting shown below as a front and plan view. Some of the guidelines have been drawn for you.



HELPFUL LINK

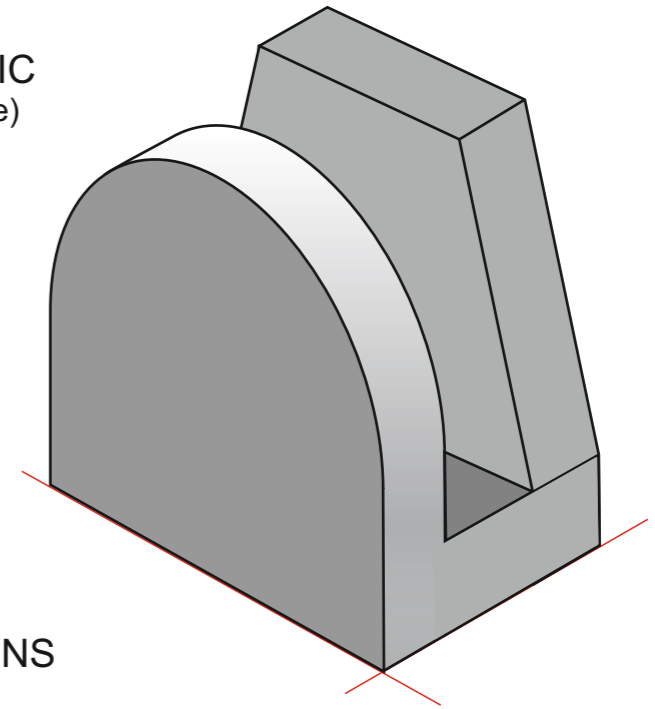


HELPFUL LINK:  
[https://technologystudent.com/despro\\_3/auxil7.html](https://technologystudent.com/despro_3/auxil7.html)



THIRD ANGLE PROJECTION

ISOMETRIC  
(not to scale)



DIMENSIONS

