

# AUXILIARY VIEWS - ORTHOGRAPHIC DRAWING

WORLD ASSOCIATION OF TECHNOLOGY TEACHERS

<https://www.facebook.com/groups/254963448192823/>

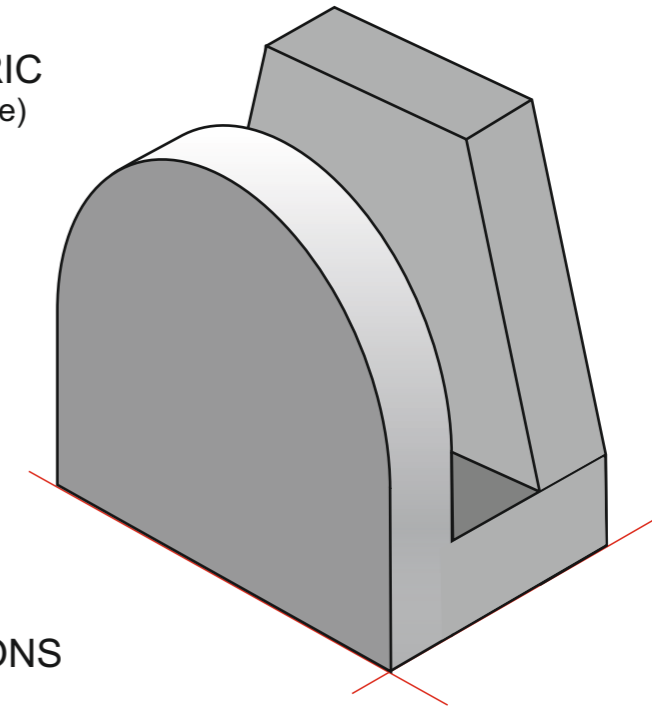
technologystudent.com © 2023

V.Ryan © 2023

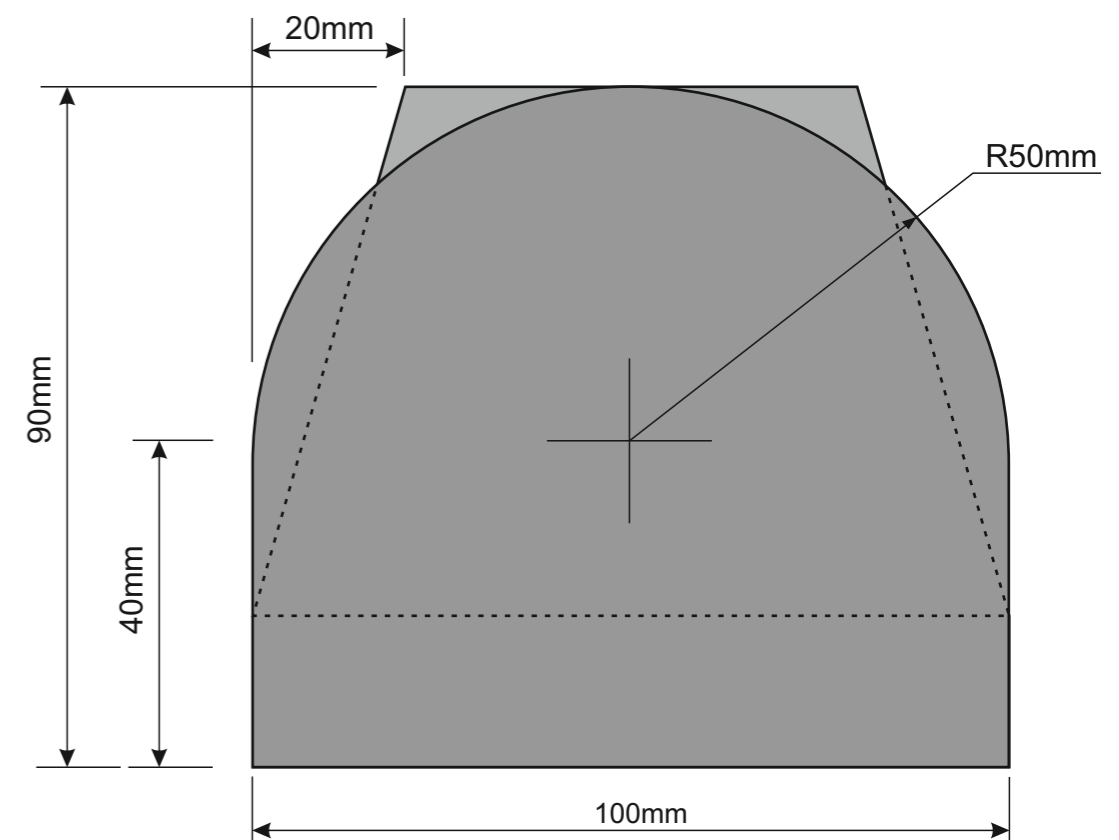
## QUESTION

Draw a front, side and auxiliary view of the aluminium casting. Details and dimensions of the casting are shown to the right of the page.

ISOMETRIC  
(not to scale)



DIMENSIONS

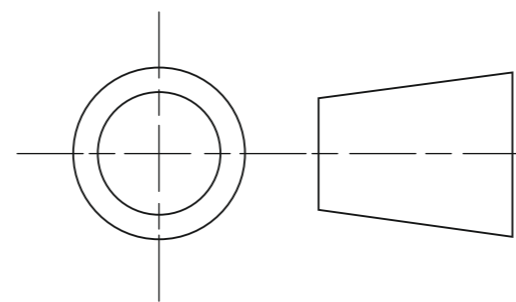


HELPFUL LINK



HELPFUL LINK:

[https://technologystudent.com/despro\\_3/auxil7.html](https://technologystudent.com/despro_3/auxil7.html)



THIRD ANGLE PROJECTION