

AUXILIARY VIEWS - ORTHOGRAPHIC DRAWING

QUESTION

Draw the auxiliary view, of the top surface of the object shown opposite.

Details and dimensions of the object are shown on the right.

Please note: the auxiliary view will show the true size and shape of the top surface.

HELPFUL LINK:

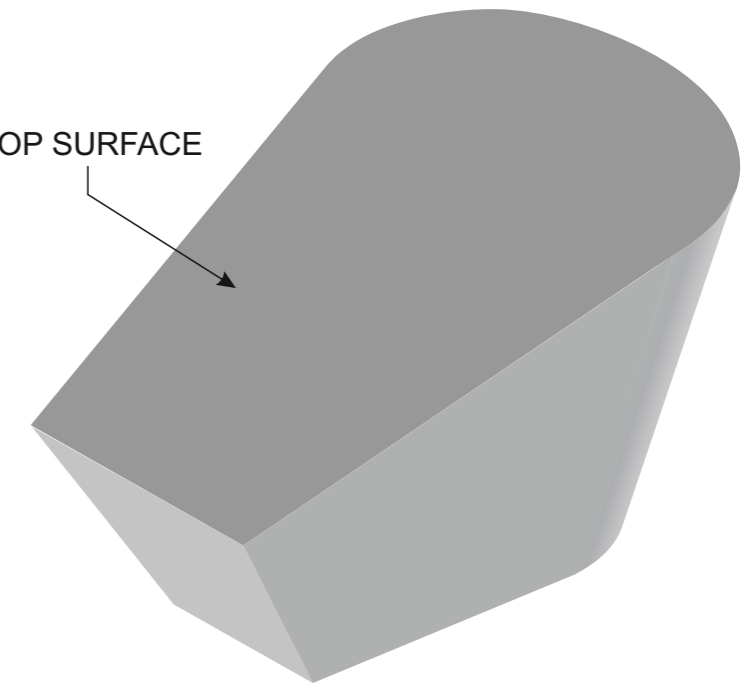
https://technologystudent.com/despro_3/auxil8.html

HELPFUL LINK



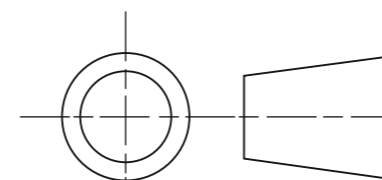
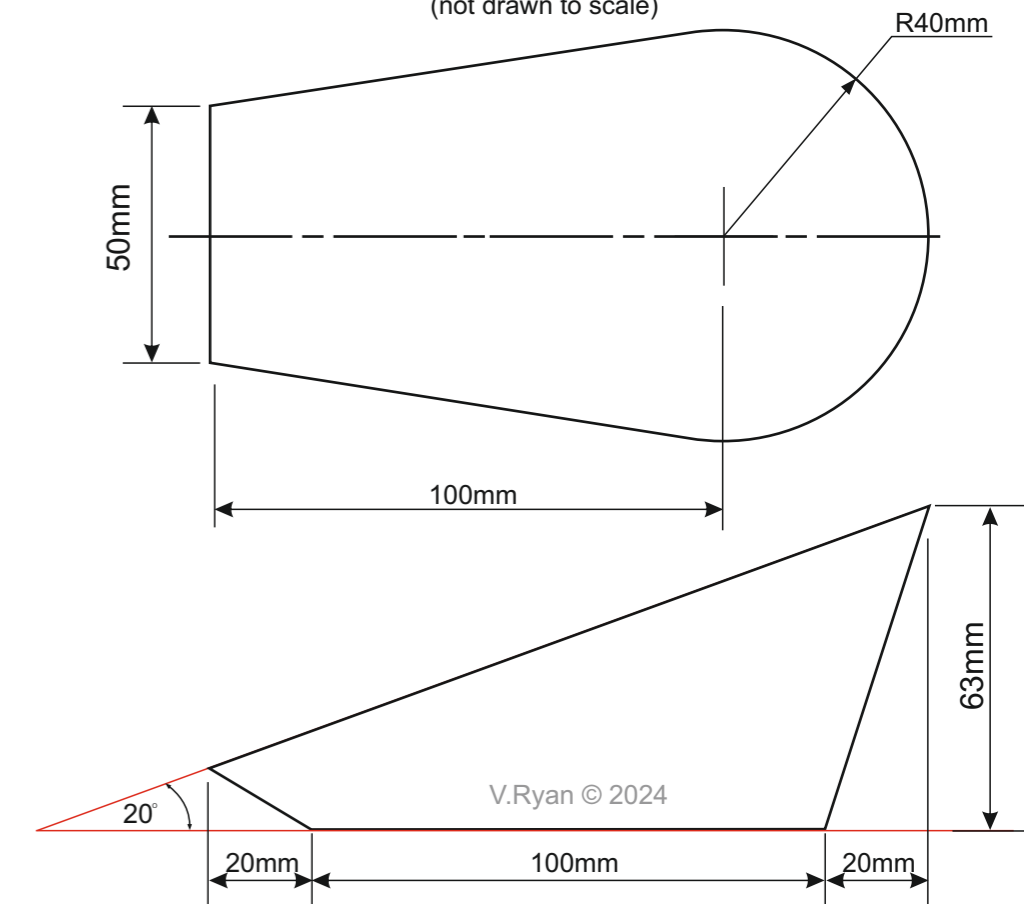
ISOMETRIC

TOP SURFACE



DIMENSIONS

(not drawn to scale)



THIRD ANGLE PROJECTION

