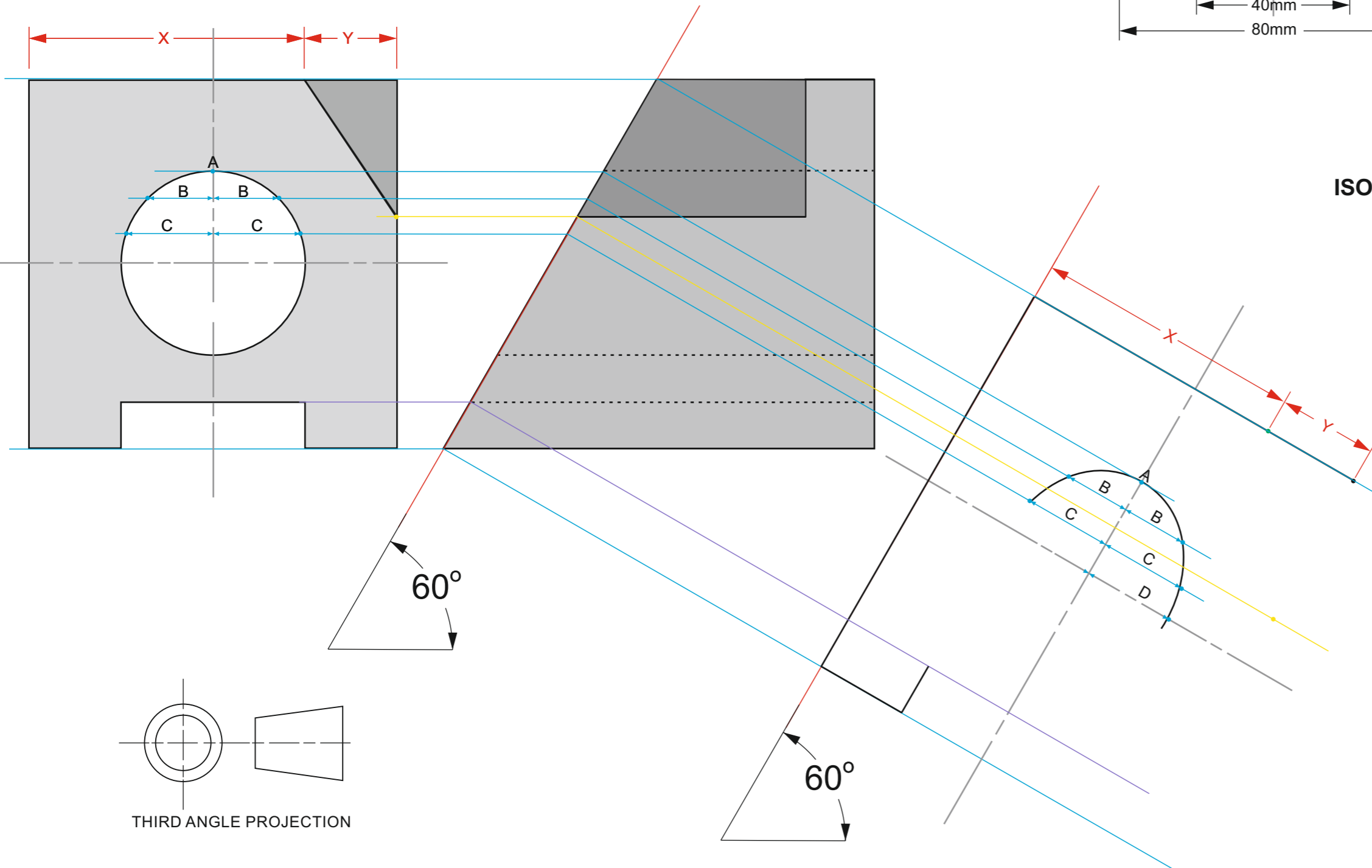
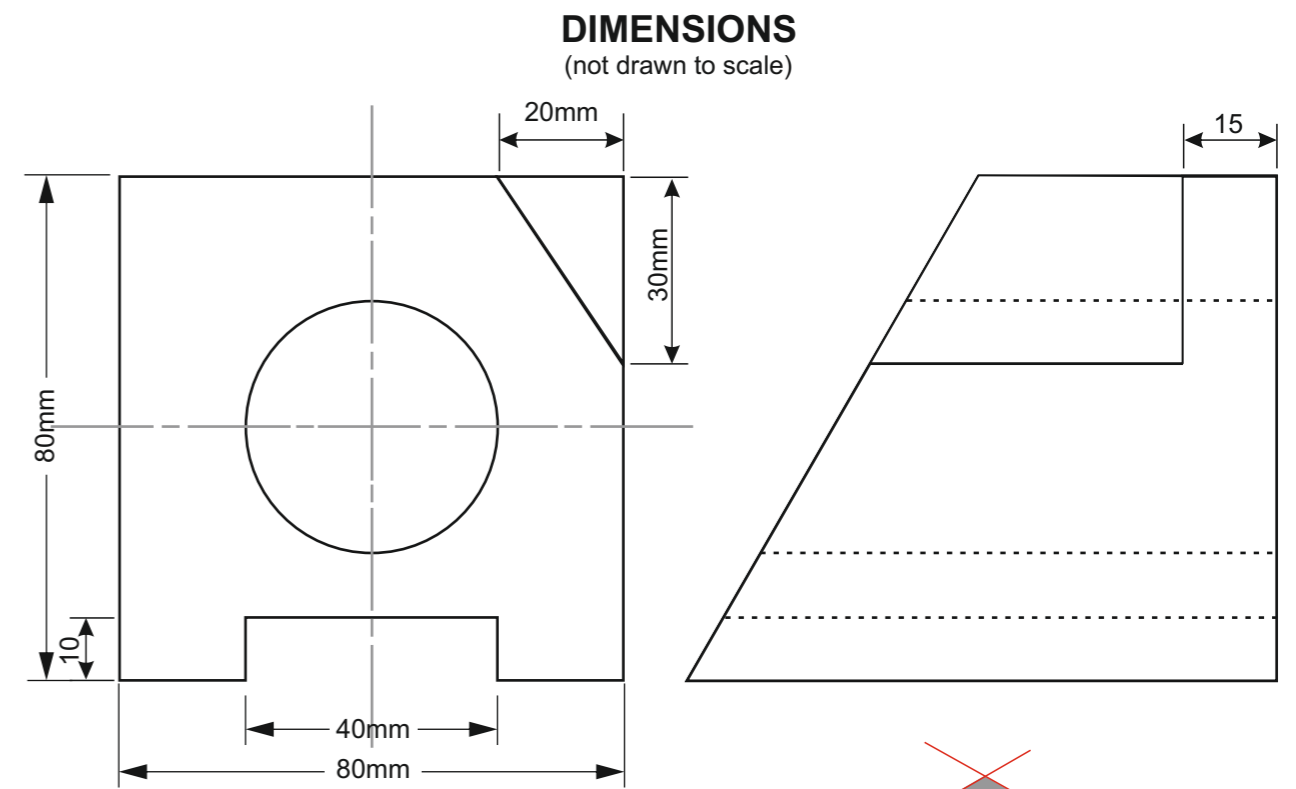


# AUXILIARY VIEWS - ORTHOGRAPHIC DRAWING

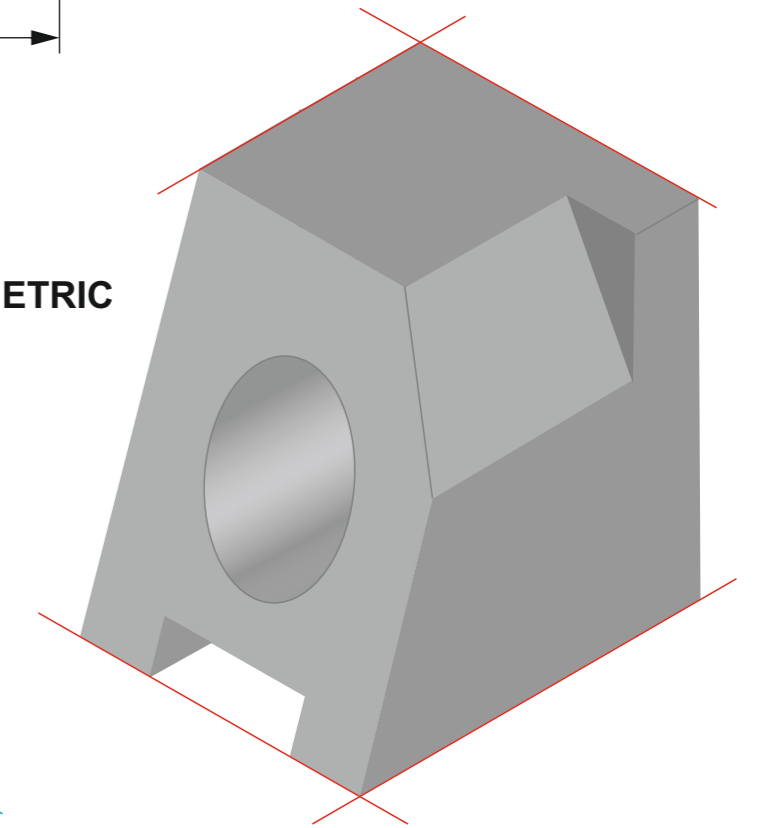
## QUESTION

Complete the auxiliary view, of the angled surface of the cast steel machine part. Details and dimensions of the object are shown on the right.

Please note: the auxiliary view will show the true size and shape of the 60 degree angled surface.



ISOMETRIC



HELPFUL LINK:

[https://technologystudent.com/despro\\_3/auxil9.html](https://technologystudent.com/despro_3/auxil9.html)

HELPFUL LINK

