

AUXILIARY VIEWS - ORTHOGRAPHIC DRAWING

WORLD ASSOCIATION OF TECHNOLOGY TEACHERS

<https://www.facebook.com/groups/254963448192823/>

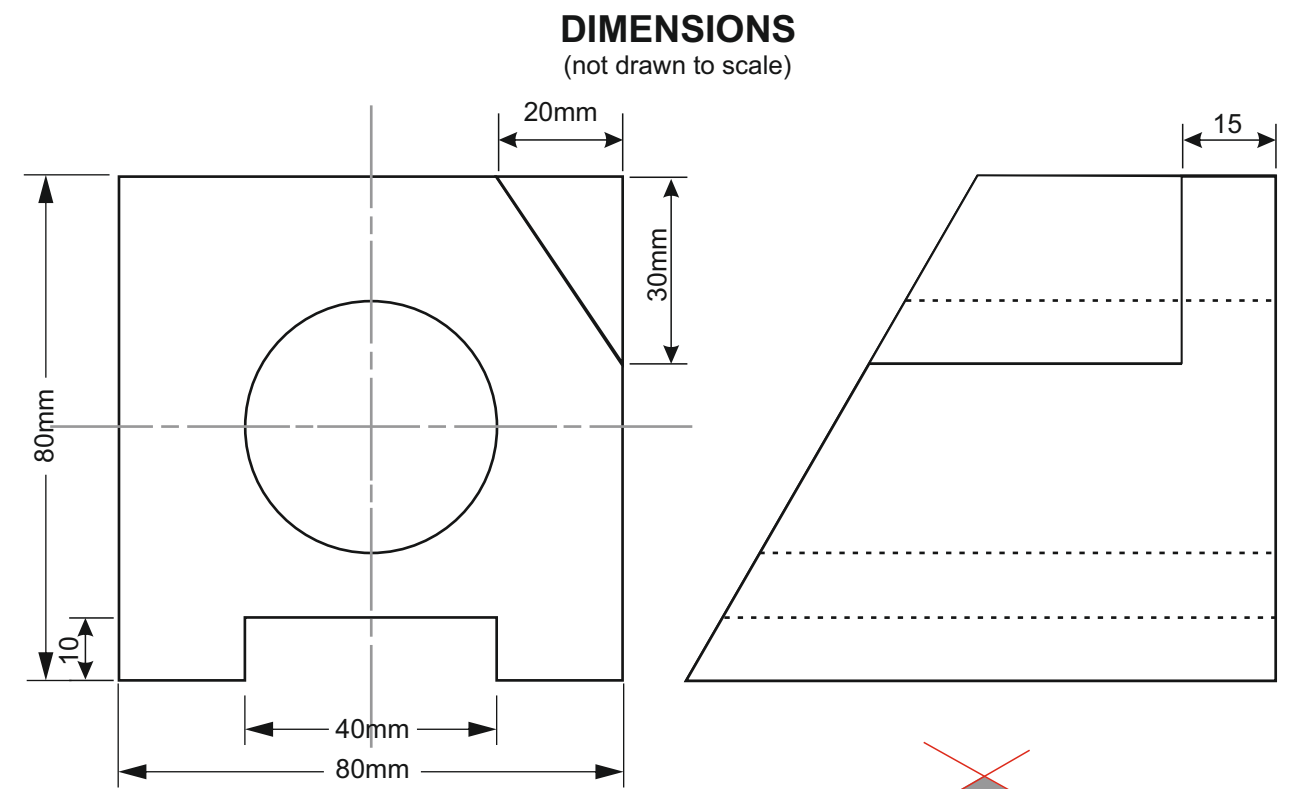
technologystudent.com © 2024

V.Ryan © 2024

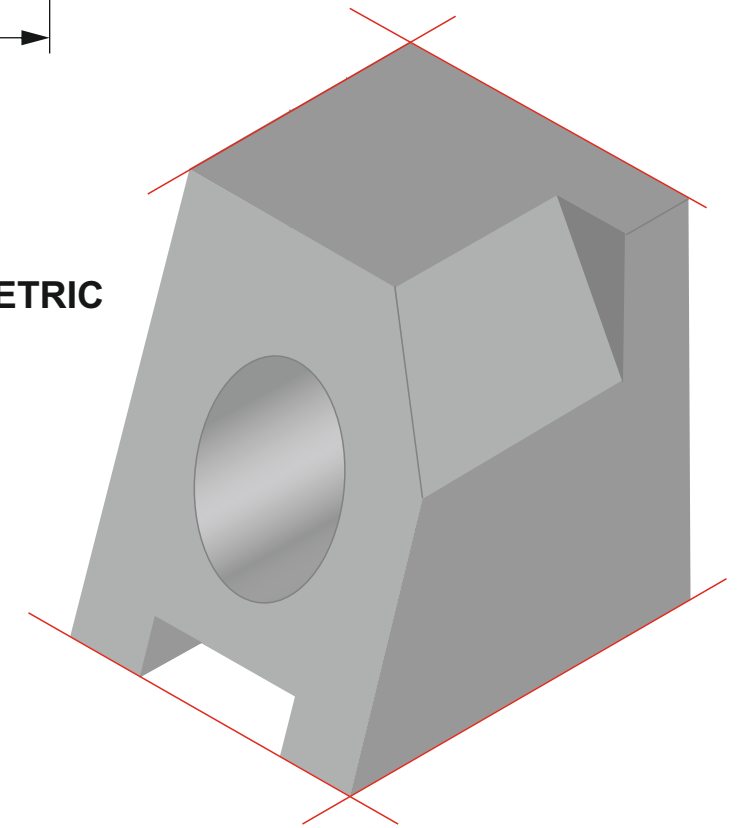
QUESTION

Draw the front, side and auxiliary views, of the cast steel part shown opposite.
Details and dimensions of the object / part are shown on the right.

Please note: the auxiliary view will show the true size and shape of the 60 degree angled surface.



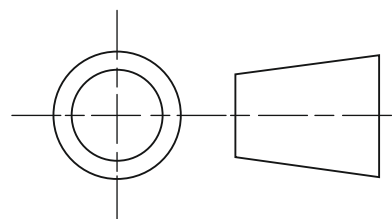
ISOMETRIC



HELPFUL LINK:

https://technologystudent.com/despro_3/auxil9.html

HELPFUL LINK



THIRD ANGLE PROJECTION