

AUXILIARY VIEWS - ORTHOGRAPHIC DRAWING

WORLD ASSOCIATION OF TECHNOLOGY TEACHERS

<https://www.facebook.com/groups/254963448192823/>

technologystudent.com © 2024

V.Ryan © 2024

QUESTION

Draw the front, side and auxiliary views, of the 'T' shaped object shown opposite.

Details and dimensions of the object / part are shown on the right.

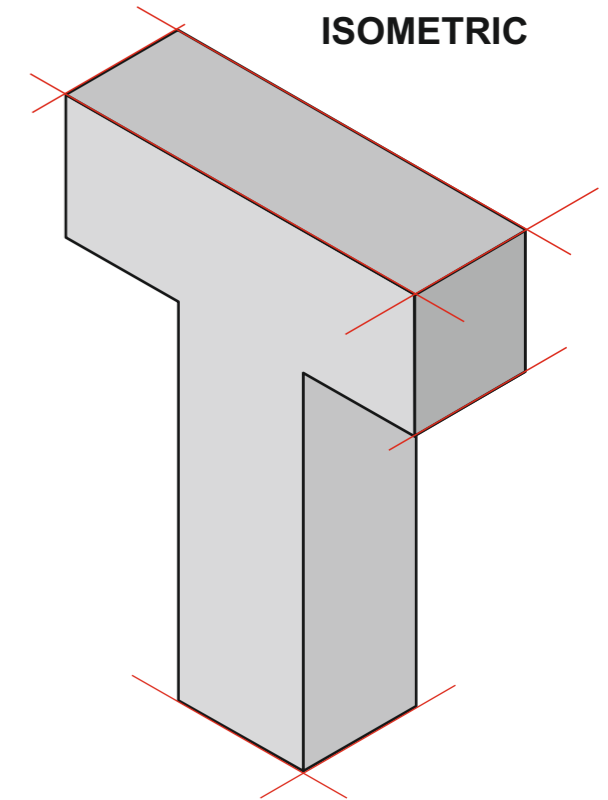
HELPFUL LINK:

https://technologystudent.com/despro_3/auxil1.html

HELPFUL LINK

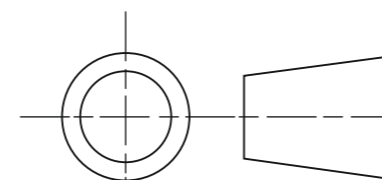
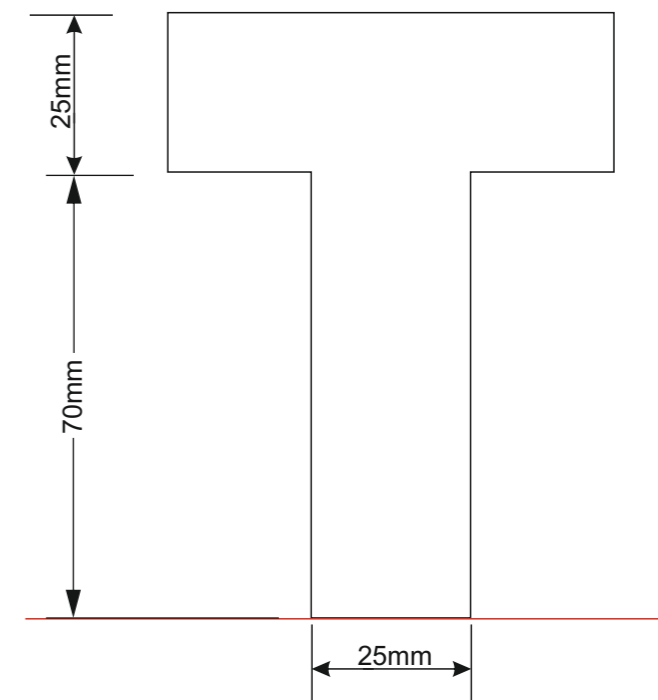
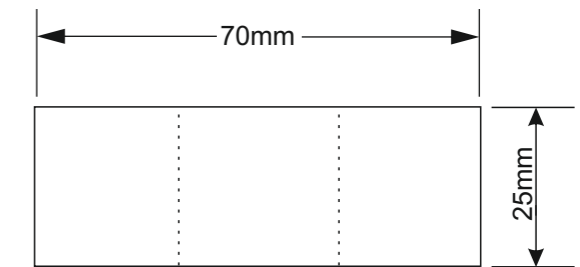


ISOMETRIC



DIMENSIONS

(not drawn to scale)



THIRD ANGLE PROJECTION