

AUXILIARY VIEWS - ORTHOGRAPHIC DRAWING

WORLD ASSOCIATION OF TECHNOLOGY TEACHERS

<https://www.facebook.com/groups/254963448192823/>

technologystudent.com © 2024

V.Ryan © 2024

QUESTION

Draw the front, side and auxiliary view, of the circular disk shown opposite. Details and dimensions of the object are shown on the right.

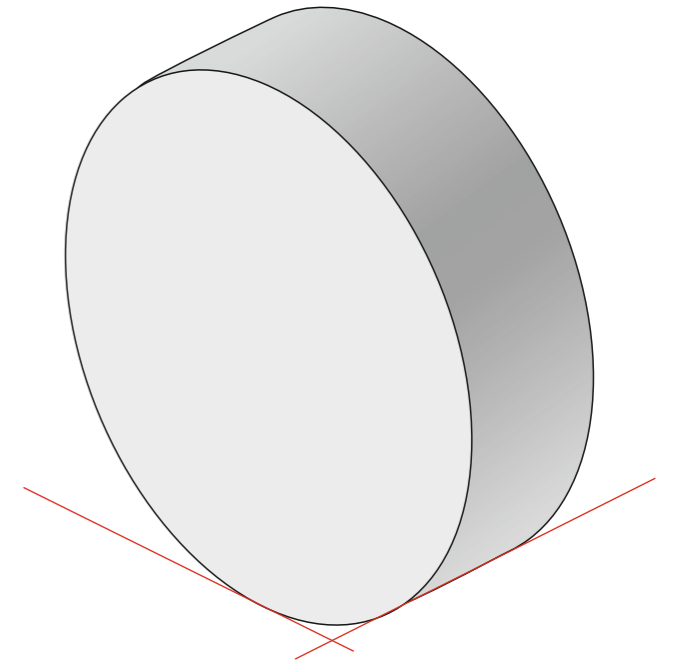
HELPFUL LINK:

https://technologystudent.com/despro_3/auxil2.html

HELPFUL LINK

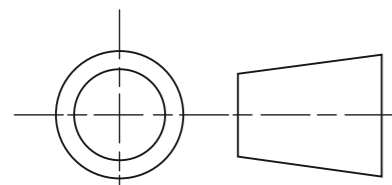
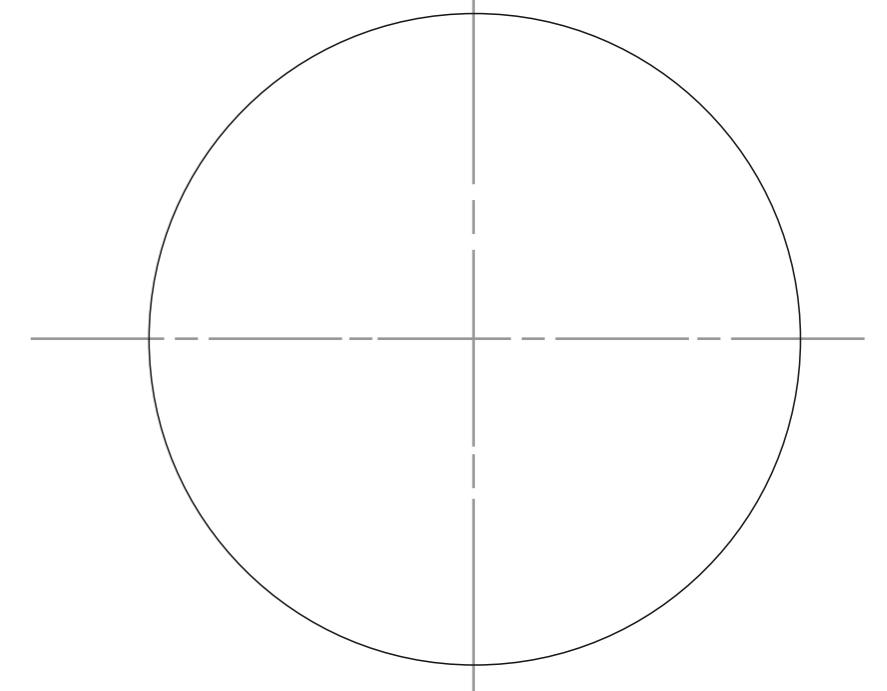
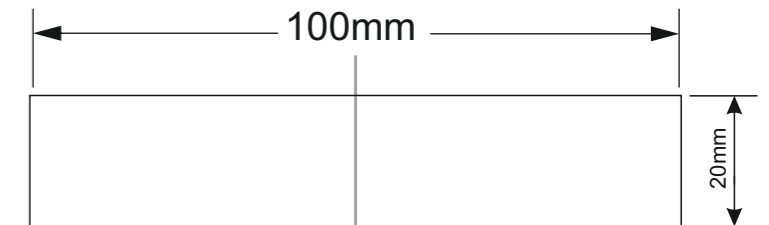


ISOMETRIC



DIMENSIONS

(not drawn to scale)



THIRD ANGLE PROJECTION