

DEVELOPMENTS - SIMPLE CUBOID

HELPFUL LINK: https://technologystudent.com/despro_3/develop1.html

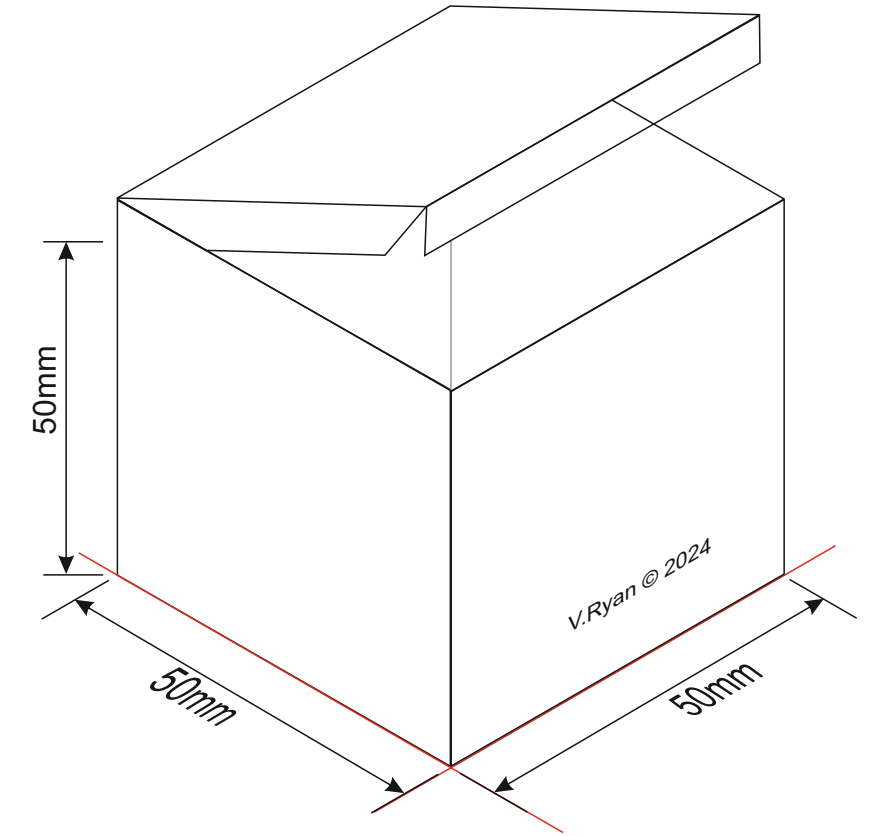
HELPFUL LINK



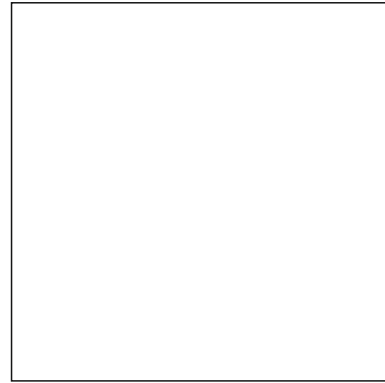
QUESTION

COMPLETE THE DEVELOPMENT OF THE 'CUBOID PACKAGE' SEEN BELOW. AN ISOMETRIC DRAWING OF THE PACKAGE IS SEEN OPPOSITE.

ISOMETRIC DRAWING



PLAN VIEW



FRONT VIEW

