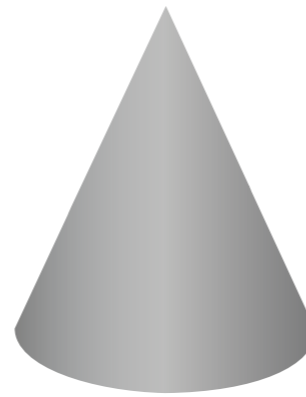
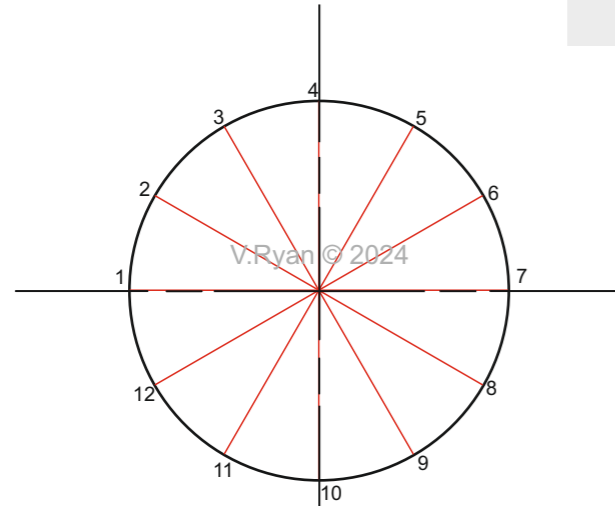


DEVELOPMENTS - CONES

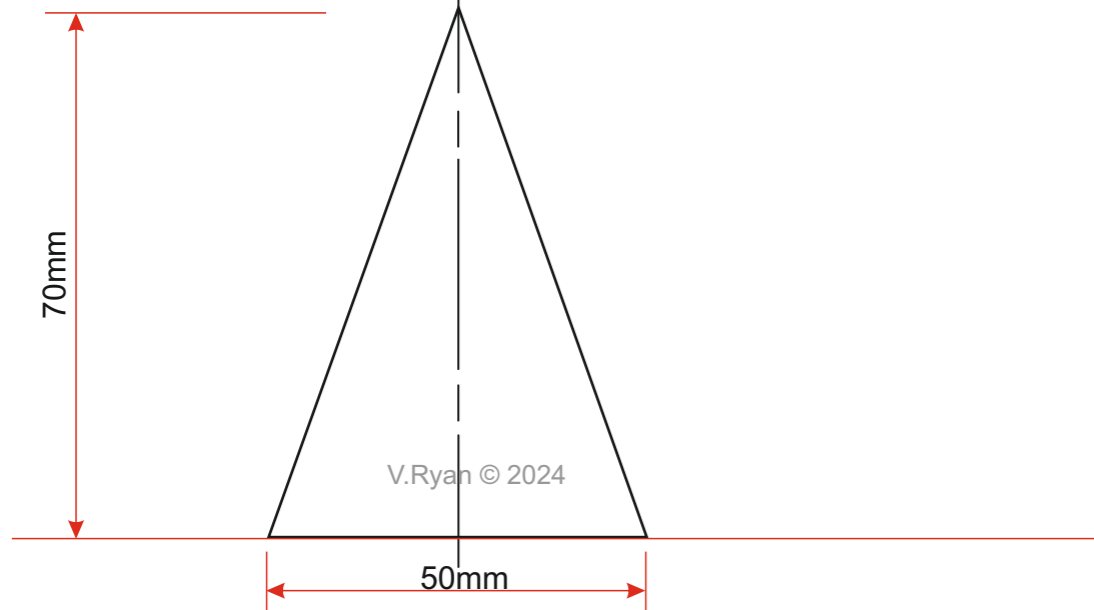
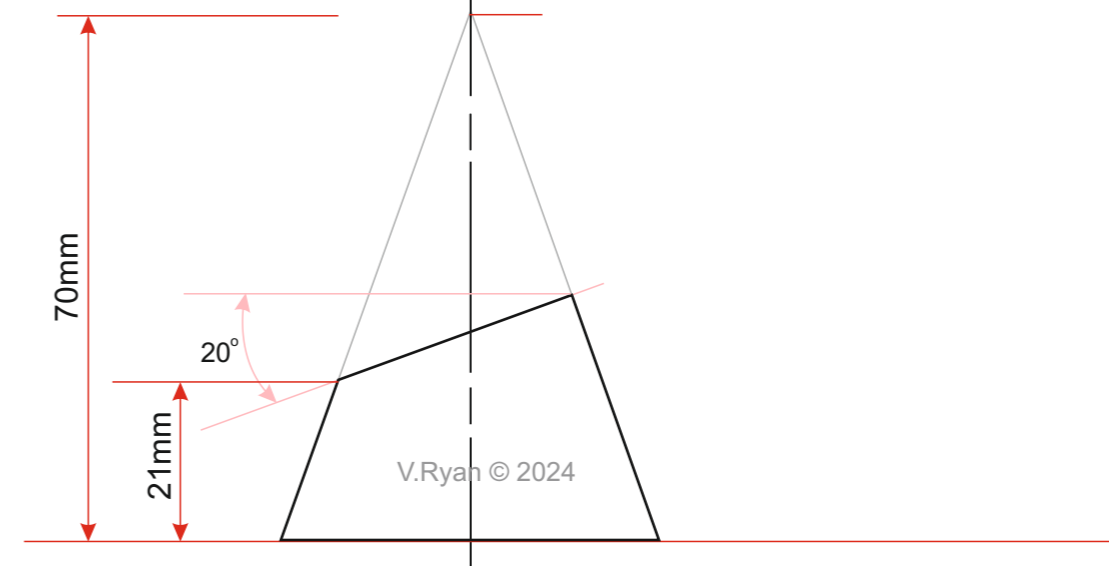
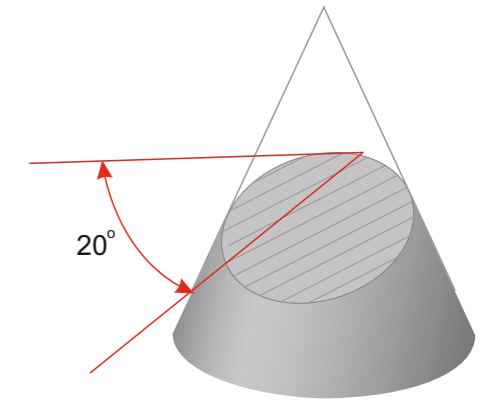
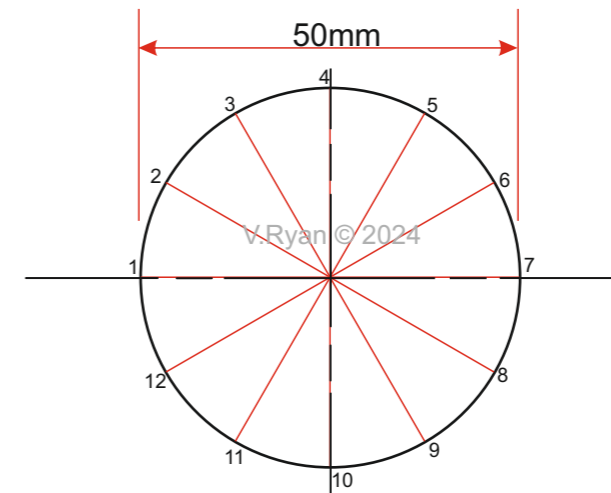
QUESTION

COMPLETE THE DEVELOPMENTS OF THE PLAIN AND TRUNCATED CONES.

PLAIN CONE



TRUNCATED CONE



HELPFUL LINK



HELPFUL LINK: https://technologystudent.com/despro_3/develp6.html