

# OBLIQUE PROJECTION

## QUESTION

DRAW THE OBLIQUE PROJECTION OF THE SOLID OBJECT

HELPFUL LINK:

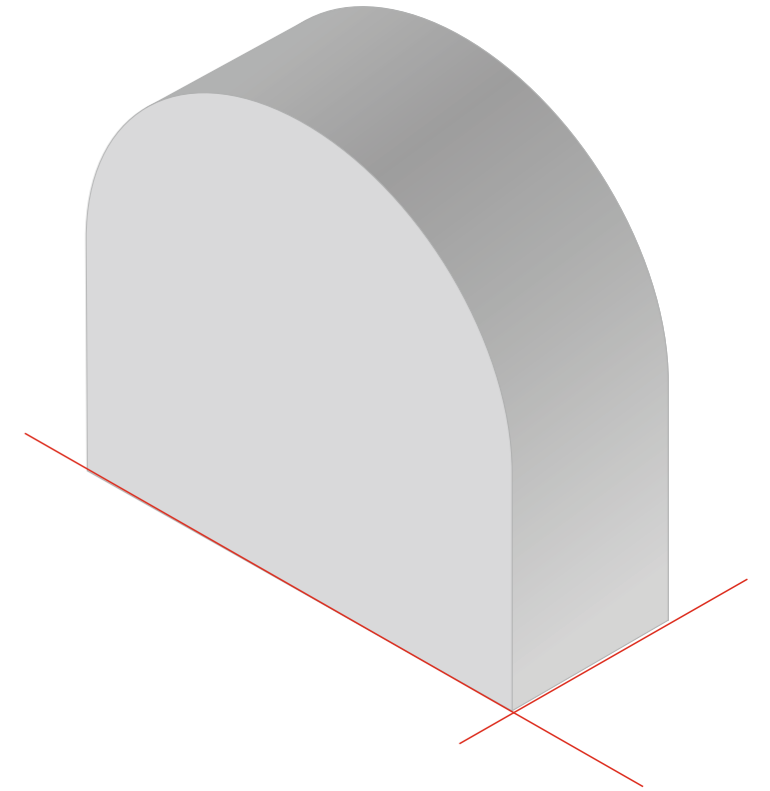
[https://technologystudent.com/despro\\_3/oblique3.html](https://technologystudent.com/despro_3/oblique3.html)

SCALE 2:1

HELPFUL LINK

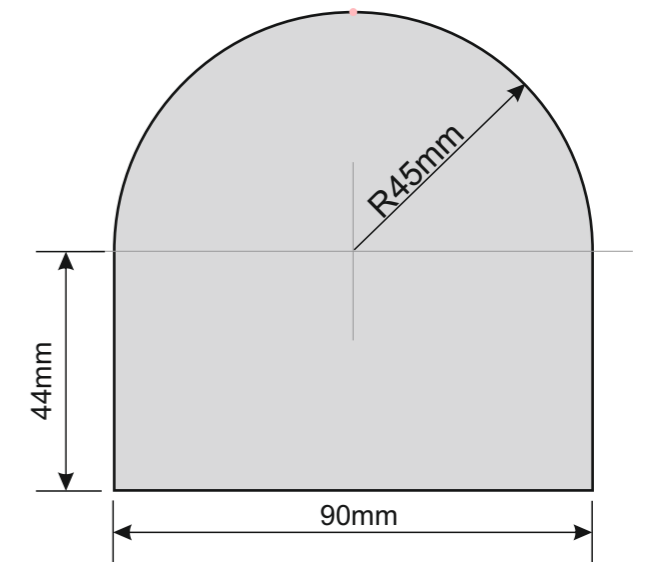


ISOMETRIC



DIMENSIONS

PLAN VIEW



FRONT VIEW

