

OBLIQUE PROJECTION

QUESTION

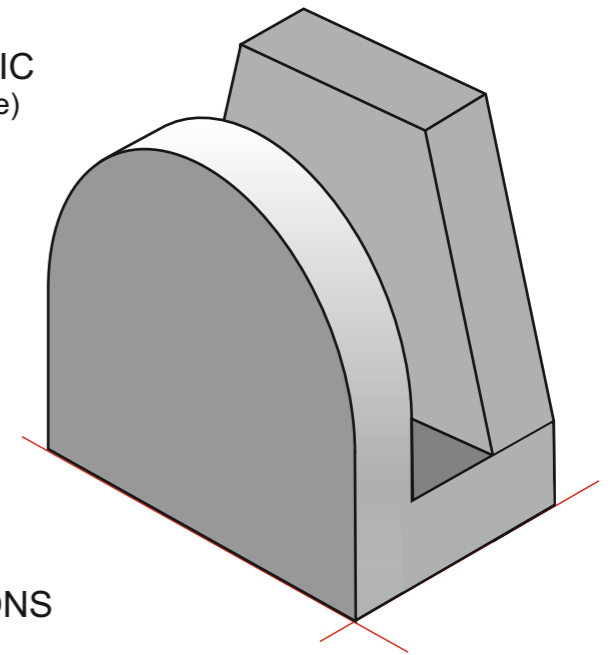
DRAW THE OBLIQUE PROJECTION OF THE SOLID OBJECT

HELPFUL LINK

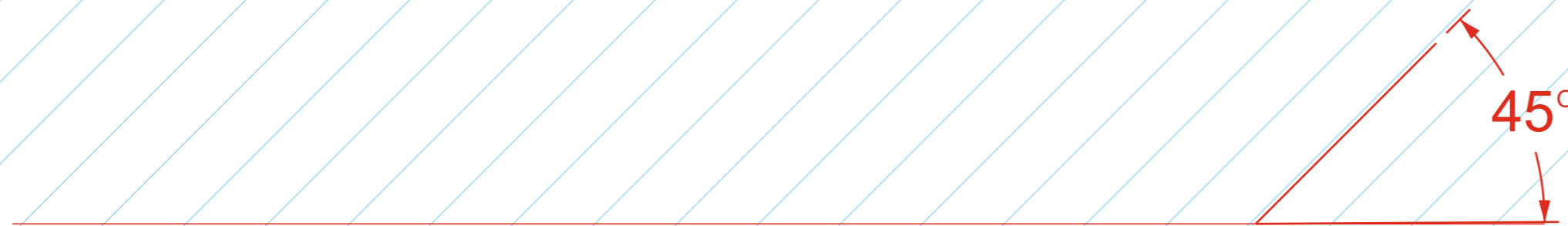
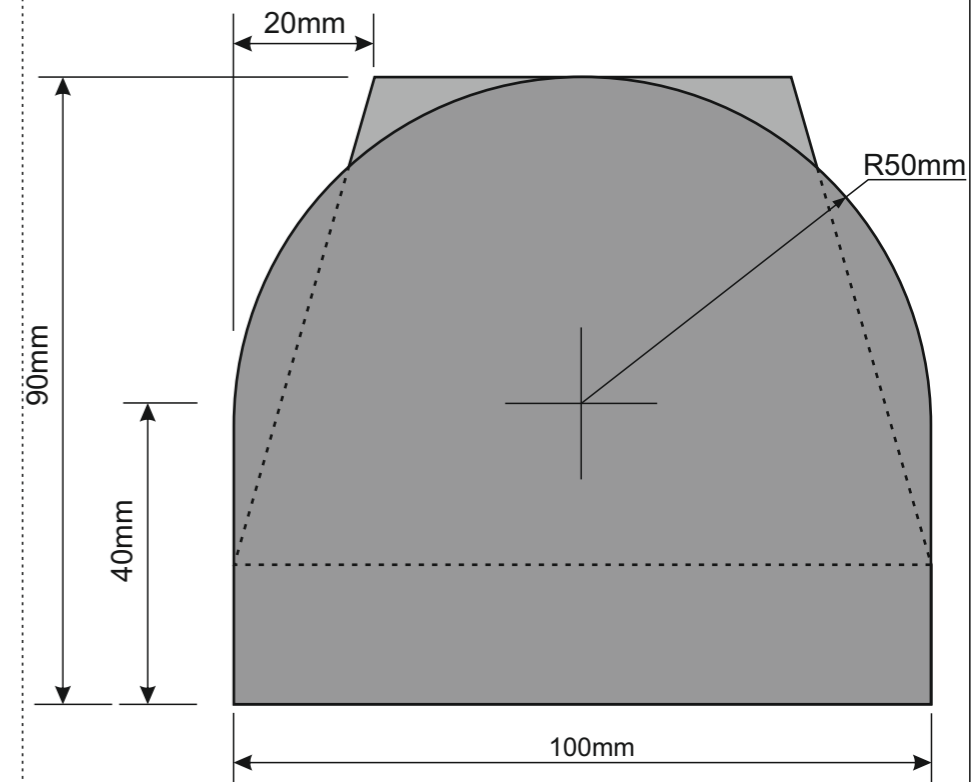


SCALE 2:1

ISOMETRIC
(not to scale)



DIMENSIONS



HELPFUL LINK:
https://technologystudent.com/despro_3/oblique5.html