

OBLIQUE PROJECTION

QUESTION

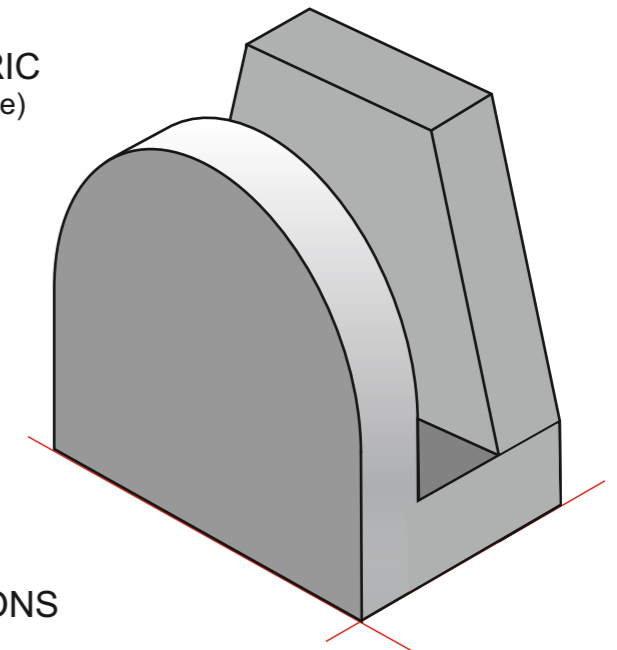
COMPLETE THE OBLIQUE PROJECTION OF THE SOLID OBJECT

HELPFUL LINK

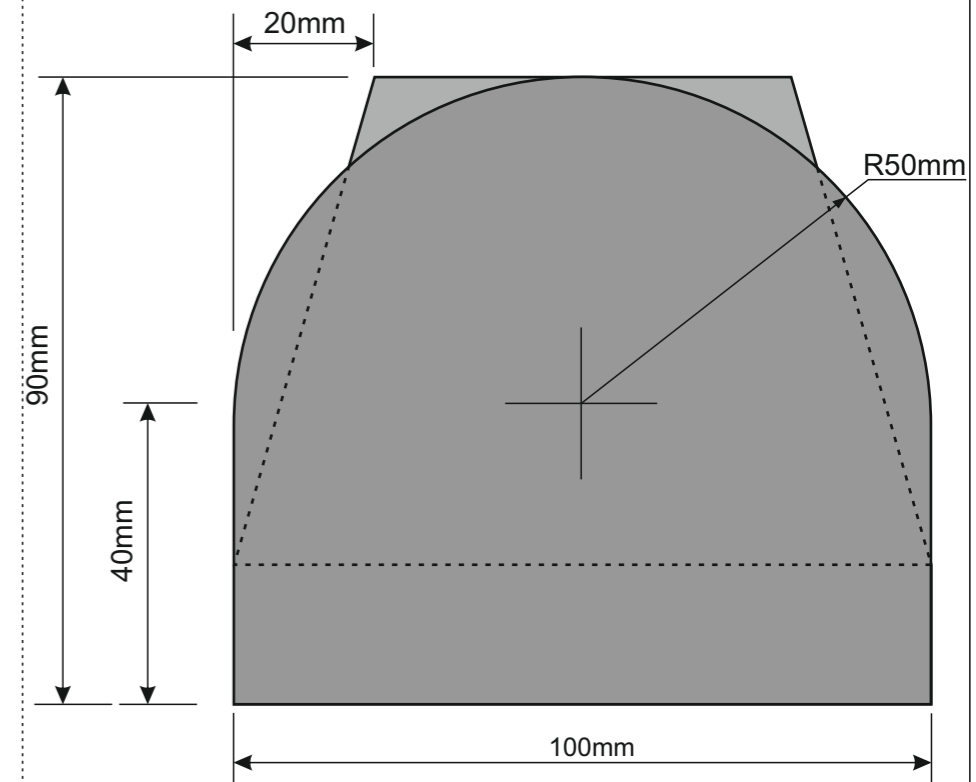
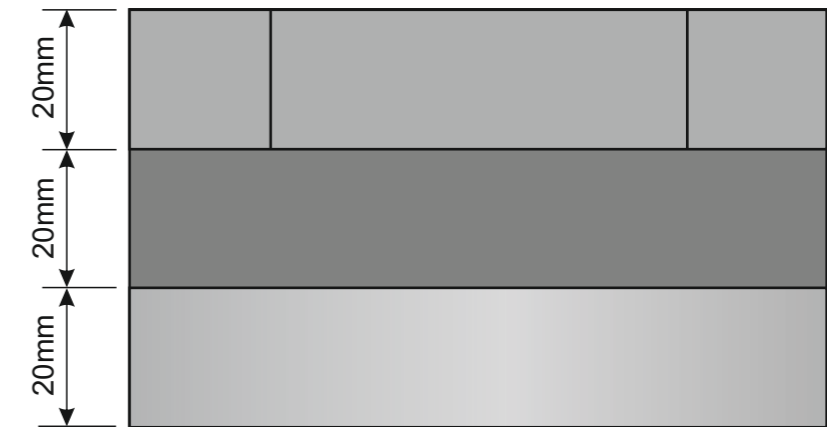


SCALE 2:1

ISOMETRIC
(not to scale)



DIMENSIONS



V.Ryan © 2023

HELPFUL LINK:

https://technologystudent.com/despro_3/oblique5.html

45°