

OBLIQUE PROJECTION

QUESTION

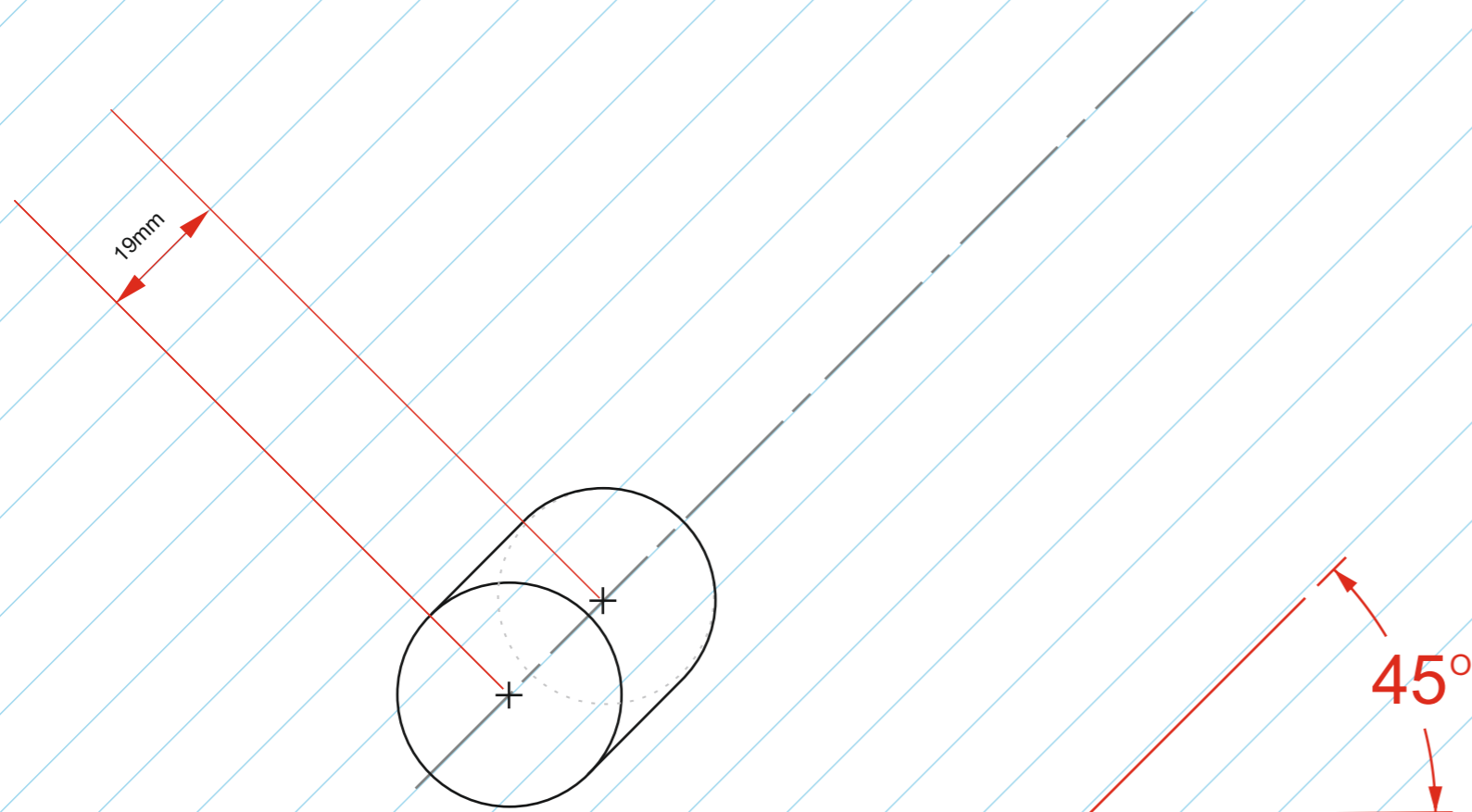
DRAW THE OBLIQUE PROJECTION OF THE OBJECT COMPOSED OF FOUR SOLID CYLINDERS. THE CENTRE LINE AND THE FIRST CYLINDER HAS BEEN DRAWN FOR YOU.

SCALE 1:1

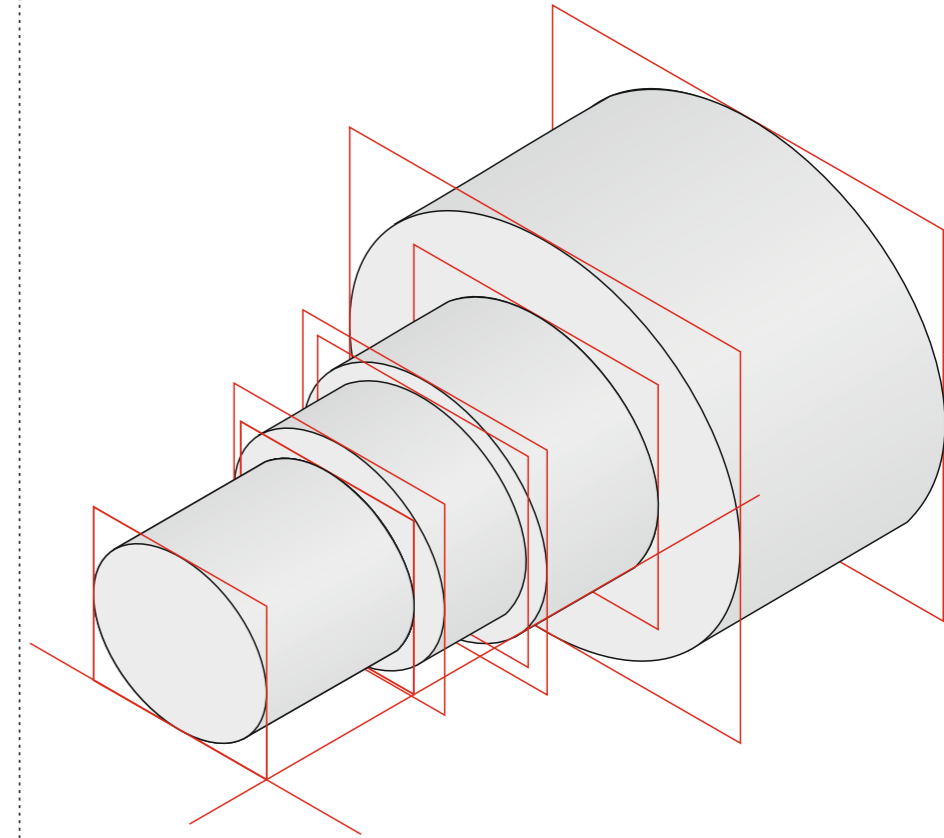
HELPFUL LINK:

https://technologystudent.com/despro_3/oblique7.html

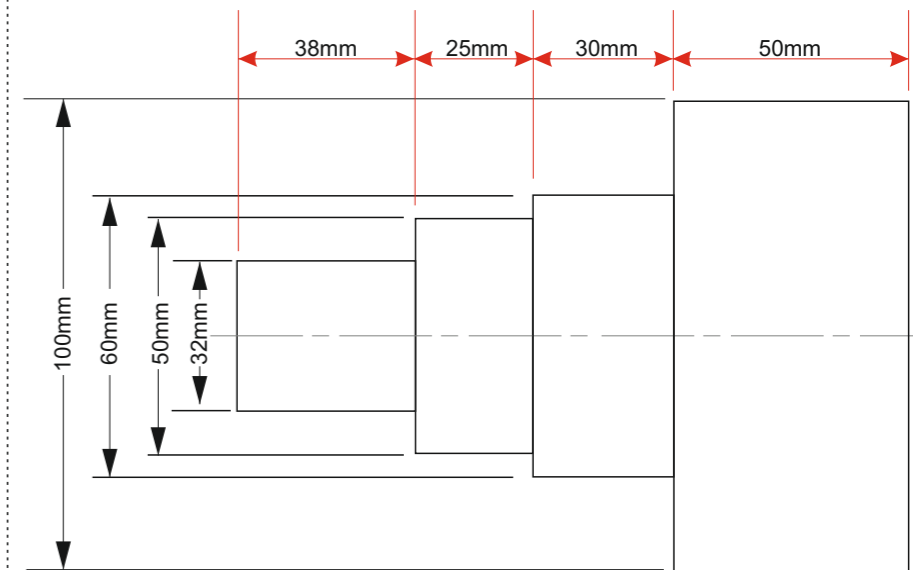
HELPFUL LINK



ISOMETRIC
(not to scale)



DIMENSIONS
(not to scale)



PLAN VIEW