

# OBLIQUE PROJECTION

## QUESTION

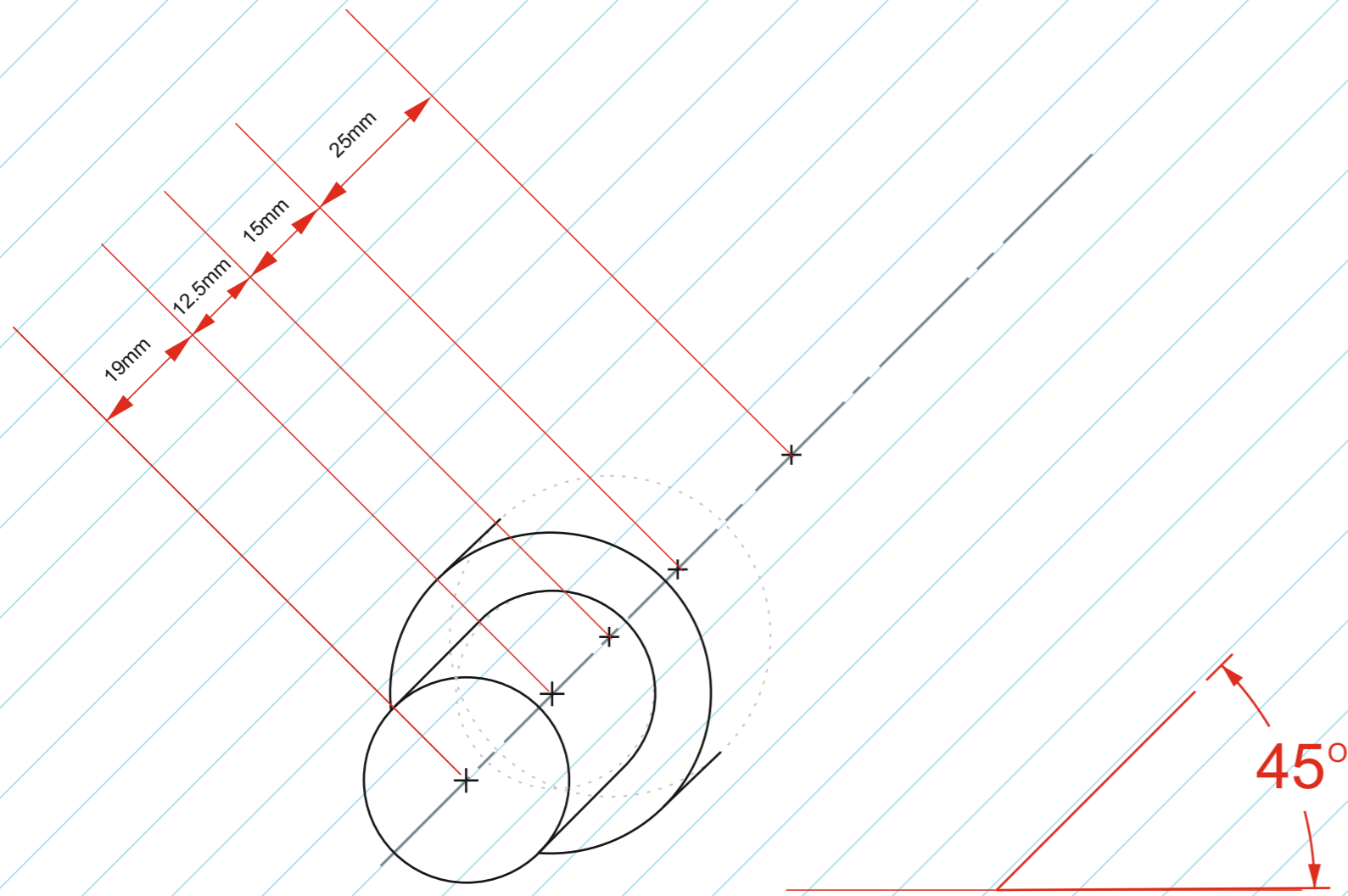
COMPLETE THE OBLIQUE PROJECTION OF THE OBJECT COMPOSED OF FOUR SOLID CYLINDERS.

SCALE 1:1

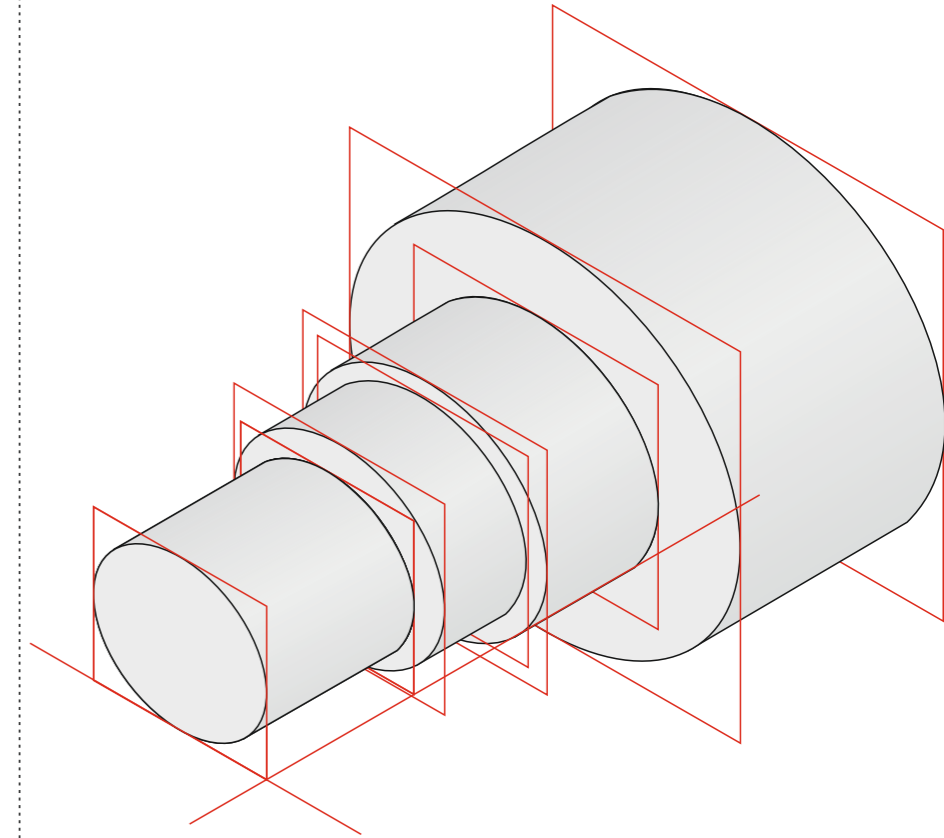
HELPFUL LINK:

[https://technologystudent.com/despro\\_3/oblique7.html](https://technologystudent.com/despro_3/oblique7.html)

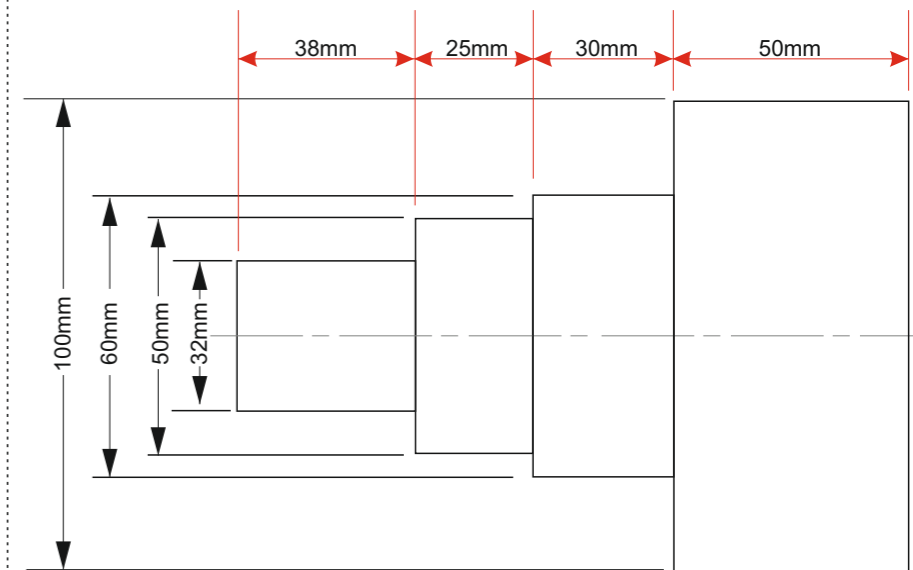
HELPFUL LINK



ISOMETRIC  
(not to scale)



DIMENSIONS  
(not to scale)



PLAN VIEW