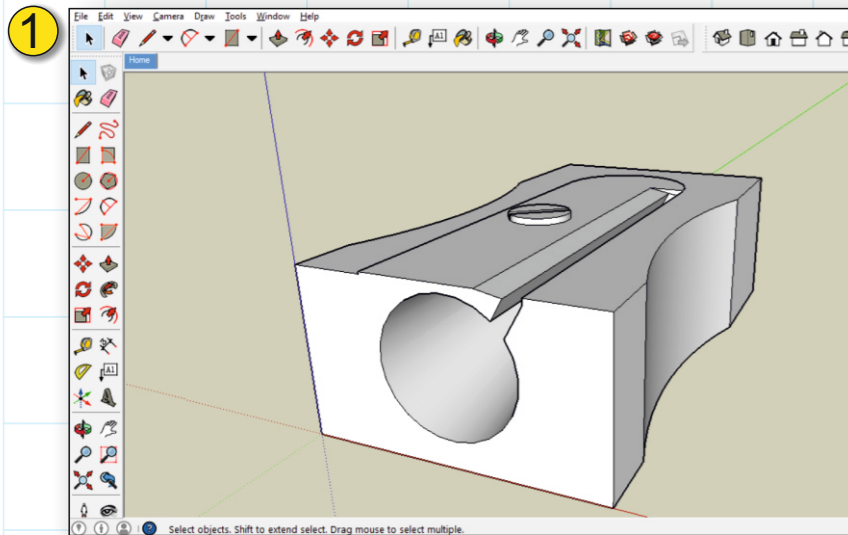
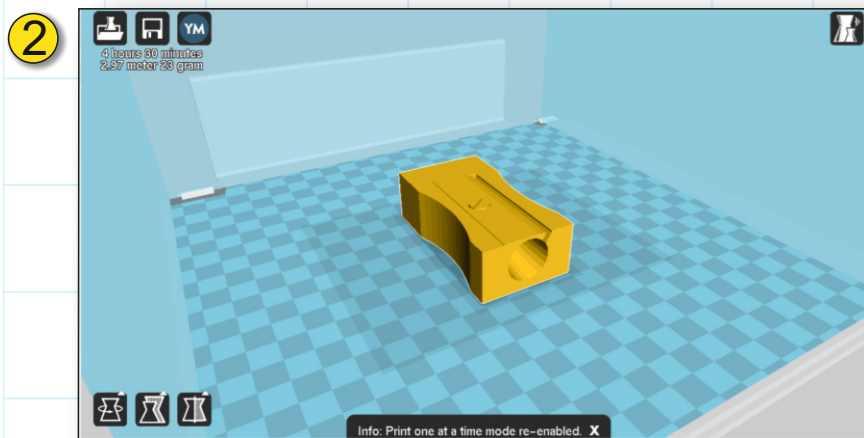


THE 3D PRINTER

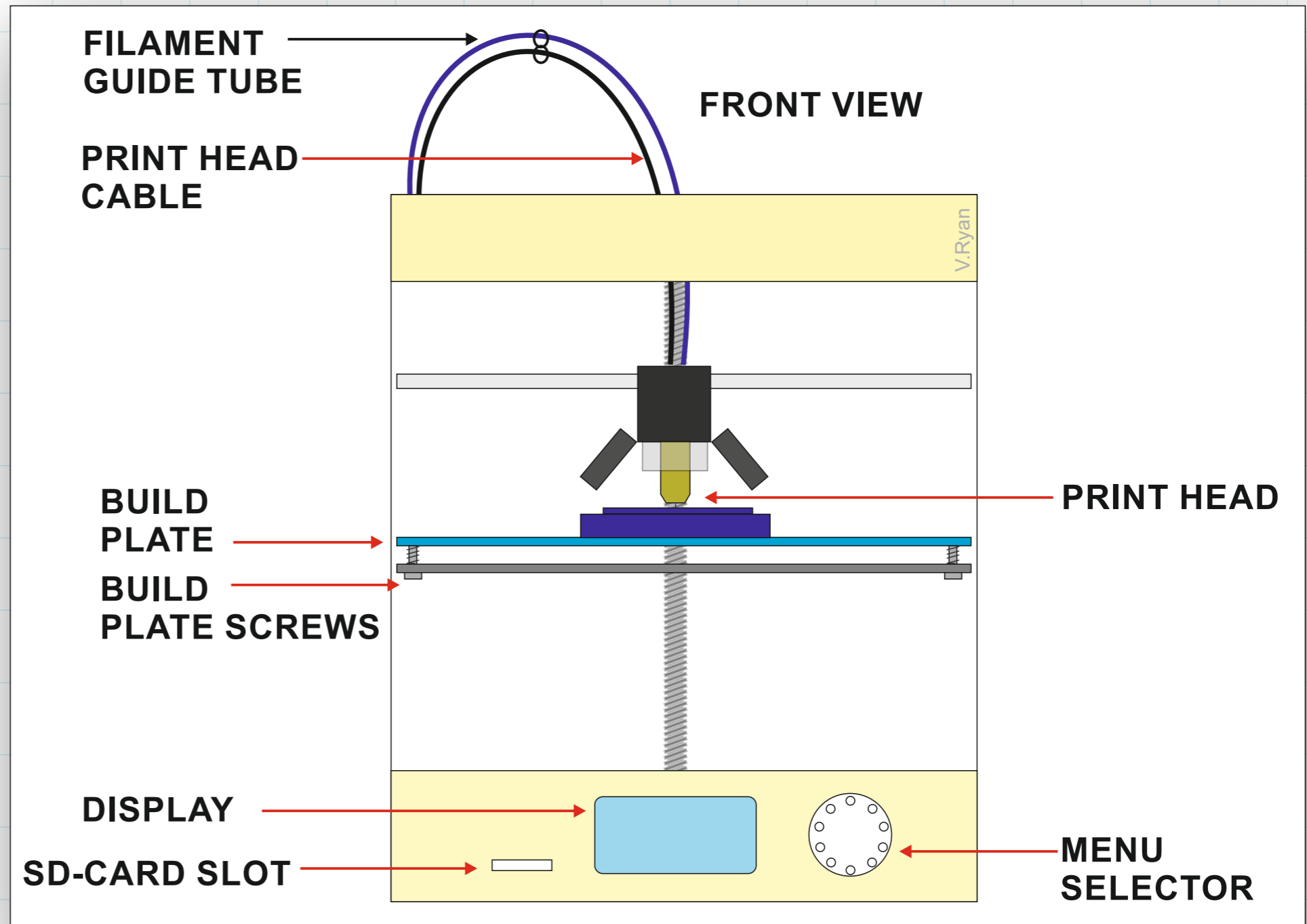
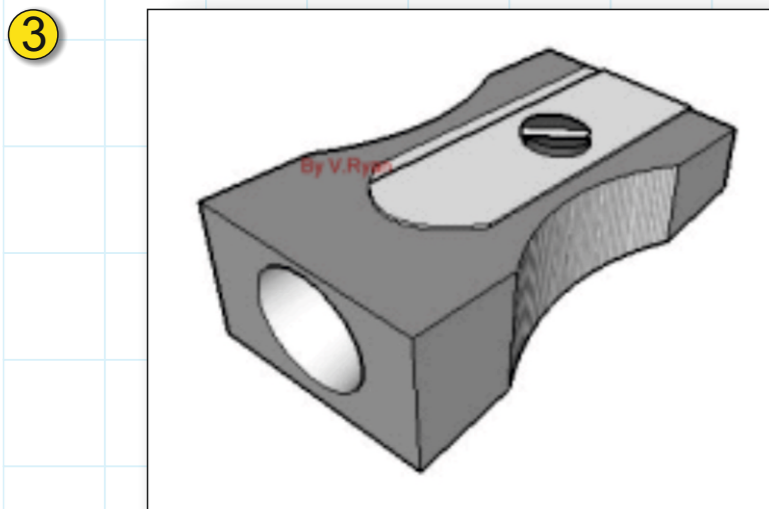
CAD - STL FILE



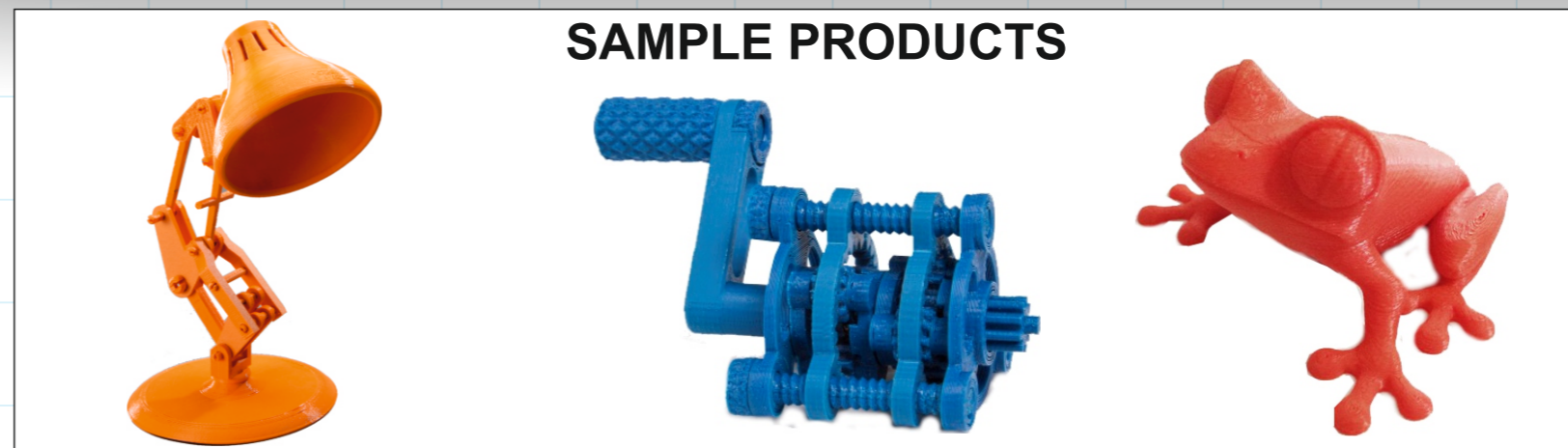
IMPORT TO 3D PRINTER



PROTOTYPE PRINTED



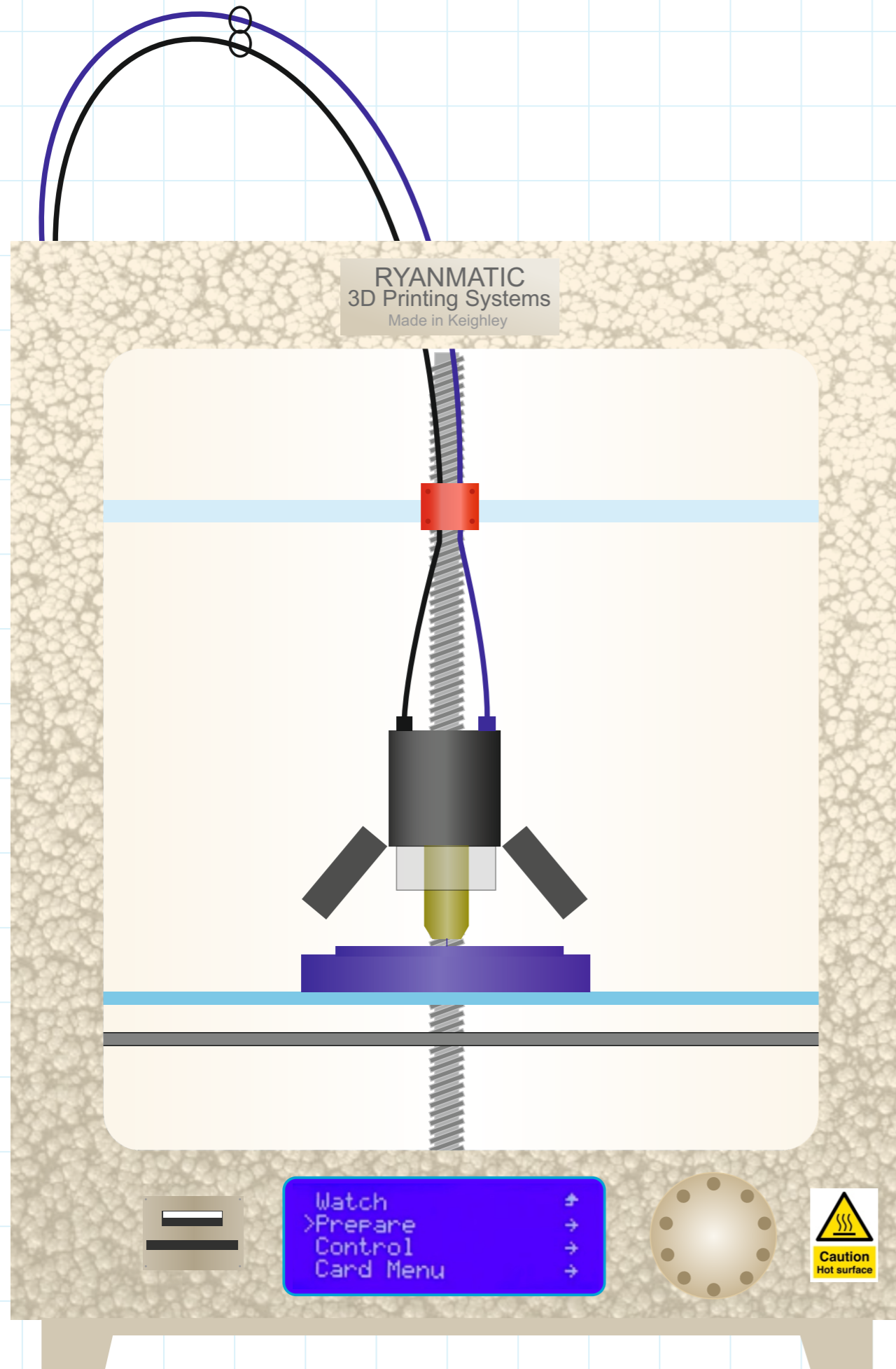
SAMPLE PRODUCTS



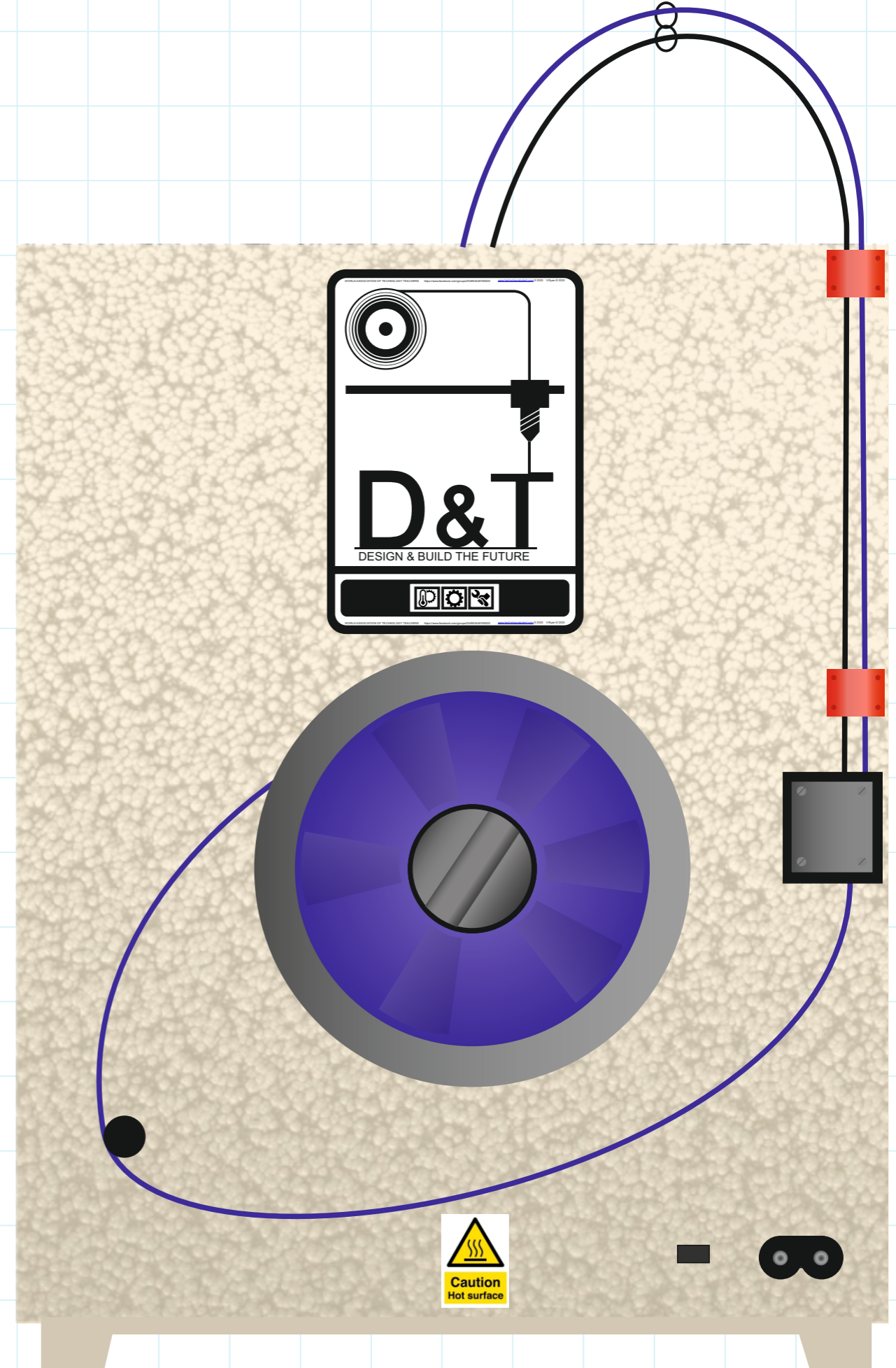
FOR MORE INFORMATION:
<http://www.technologystudent.com/cam/camex.htm>

TYPICAL 3D PRINTER

FRONT VIEW



BACK VIEW



3D PRINTER and EXTRACTION AND FILTER SYSTEM

