

# THE 4081B LOGIC CIRCUIT

V.Ryan © 2000 - 2009

On behalf of The World Association of Technology Teachers

## W.A.T.T.



World Association of Technology Teachers

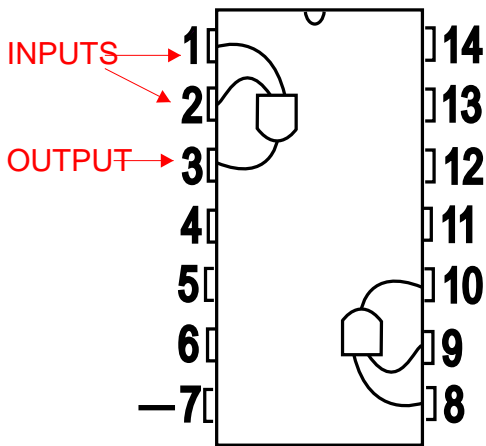
This exercise can be printed and used by teachers and students. It is recommended that you view the website ([www.technologystudent.com](http://www.technologystudent.com)) before attempting the design sheet .

THESE MATERIALS CAN BE PRINTED AND USED BY TEACHERS AND STUDENTS.  
THEY MUST NOT BE EDITED IN ANY WAY OR PLACED ON ANY OTHER MEDIA INCLUDING WEB SITES AND INTRANETS.  
NOT FOR COMMERCIAL USE.  
THIS WORK IS PROTECTED BY COPYRIGHT LAW.  
IT IS ILLEGAL TO DISPLAY THIS WORK ON ANY WEBSITE/MEDIA STORAGE OTHER THAN [www.technologystudent.com](http://www.technologystudent.com)

# THE 4081B LOGIC CIRCUIT

V.Ryan © 2009 World Association of Technology Teachers

1. The 4081B integrated circuit is an AND GATE. How many pins does it have ? \_\_\_\_\_

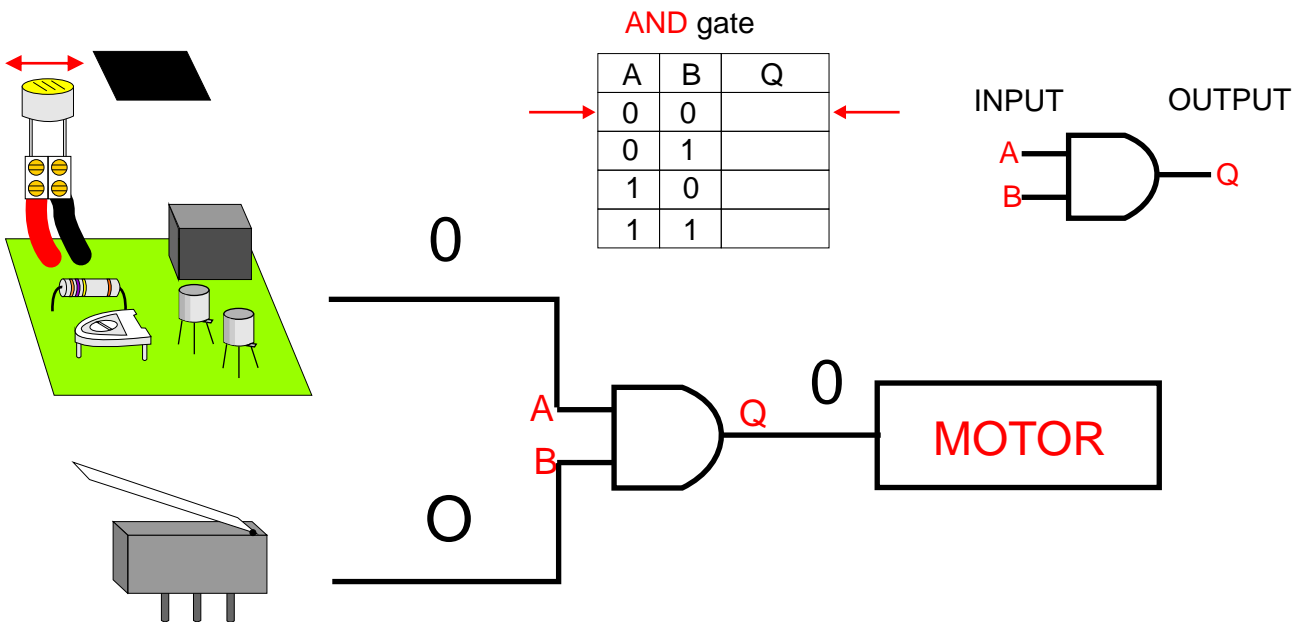


+

2. The logic IC drawn opposite is a 4018B. It has four AND gates, two are shown. Add the remaining two AND gates, with their inputs and outputs.

3. A dark sensor and a micro switch have been connected to one of the AND gates of a 4018B logic circuit (see below).

Identify the Dark sensor and micro-switch with arrows and labels.  
Complete the logic table.



4. A dog owner has built an automatic animal feeder to work at night and when his dog presses a switch (pressure pad). This type of device would automatically feed the dog when the owner is asleep. Draw a circuit diagram that clearly shows how a 4081B could be used to automatically drive a motor, releasing food into the dish.

