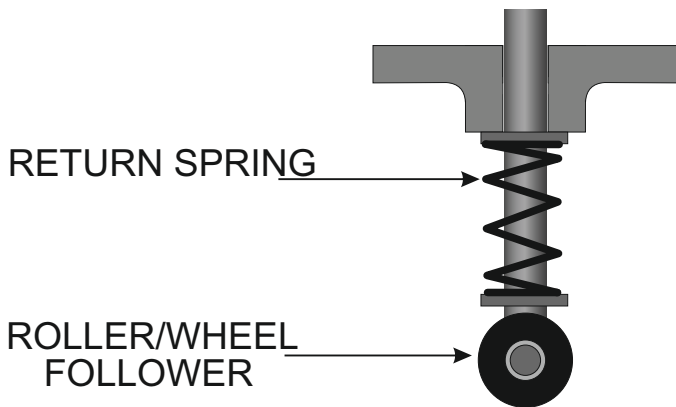


EXAMINATION QUESTIONS - FLAT PLATE CAMS

HELPFUL LINK: <https://technologystudent.com/cams/flat1.htm>

1. In the space below draw a simple example of a flat plate cam and its follower. Label important parts and add notes that explain how it works. **6 marks**



2. Roller followers are normally used with flat plate cams. Why is this the case? **2 marks**

3. The roller follower seen above has a return spring. Why is this often required? **2 marks**

EXAMINATION QUESTIONS - FLAT PLATE CAMS

HELPFUL LINK: <https://technologystudent.com/cams/flat1.htm>

4. In the space below draw a practical application of a plate cam and follower(s). Add explanatory notes. **6 marks**
