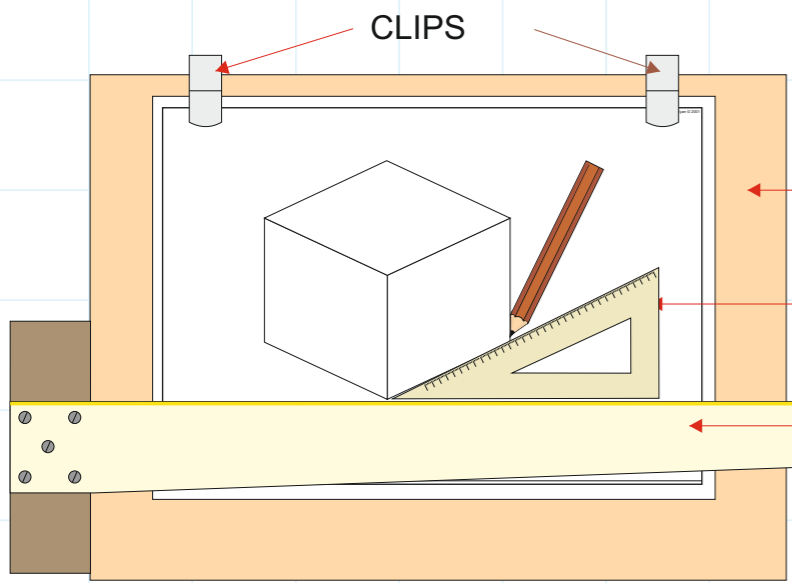


ISOMETRIC DRAWING

USEFUL LINK



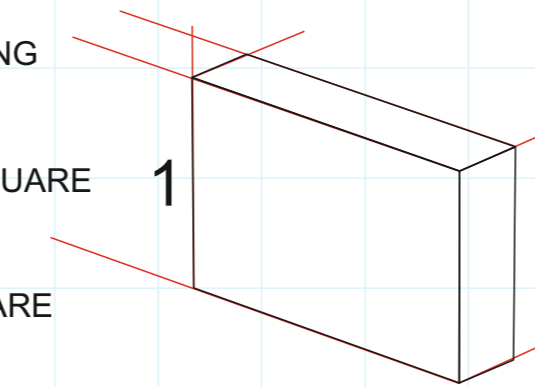
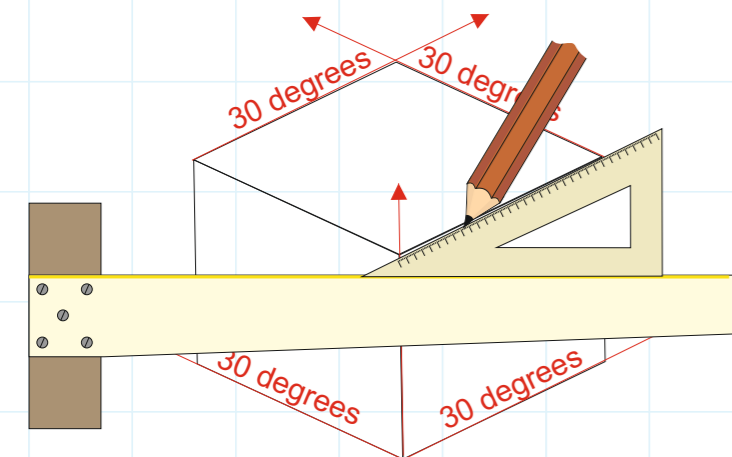
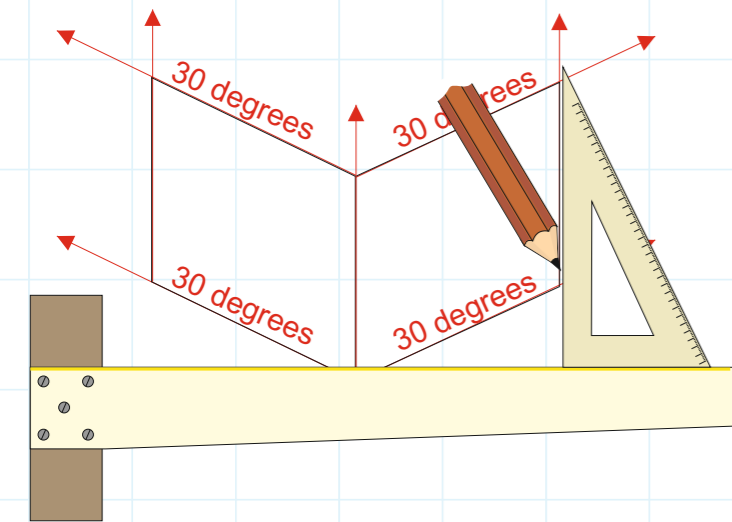
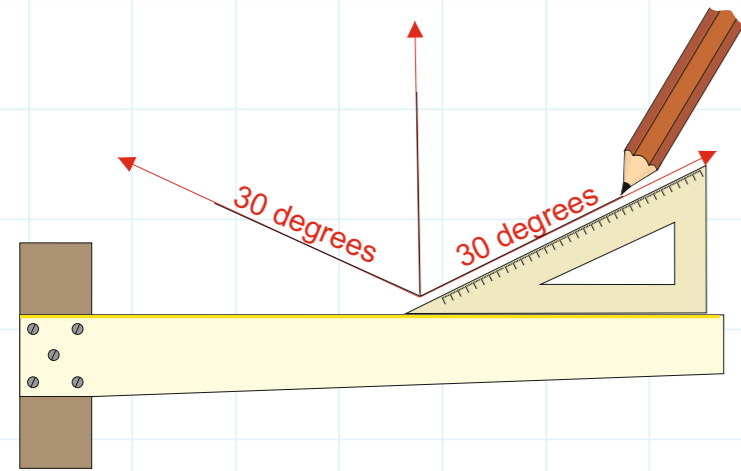
https://technologystudent.com/despro_3/techdraw1.html



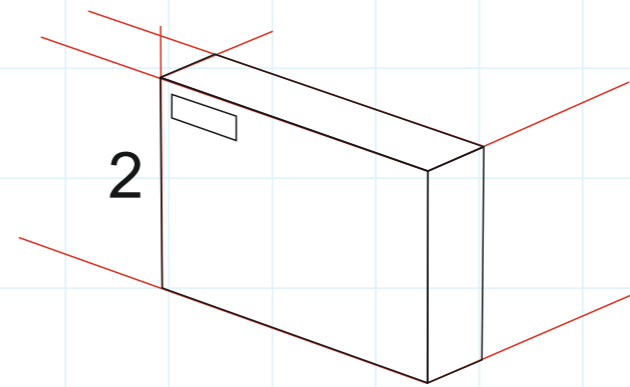
DRAWING BOARD

SET SQUARE

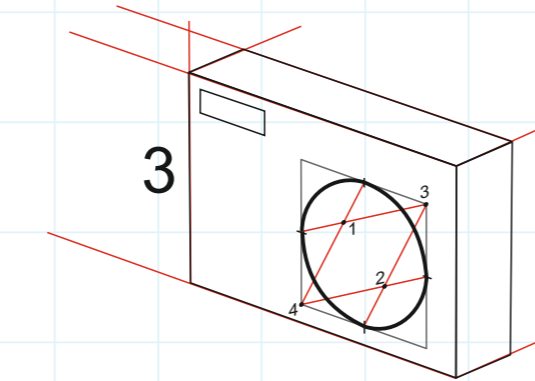
T-SQUARE



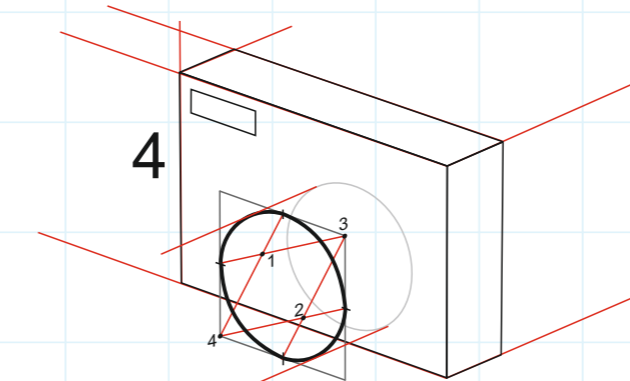
1



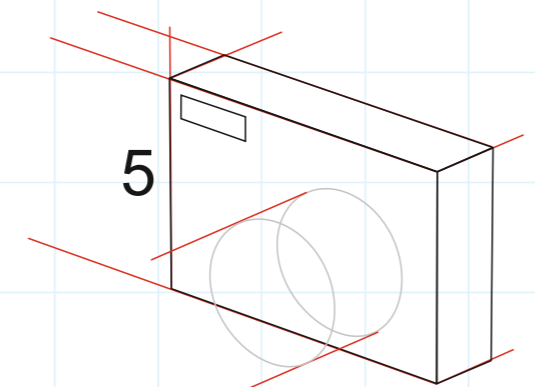
2



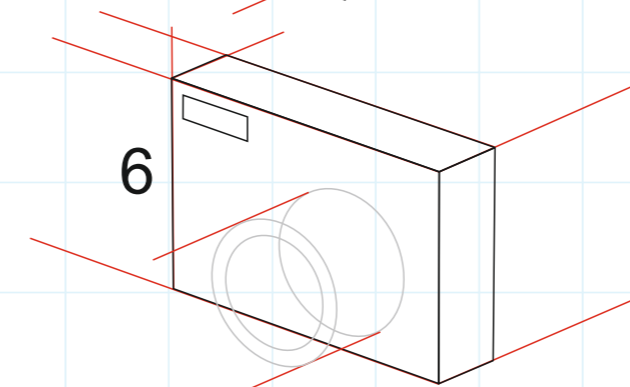
3



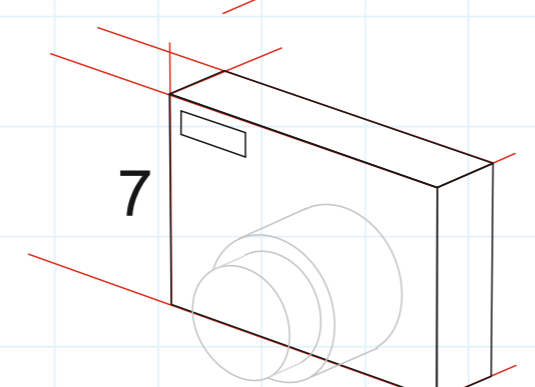
4



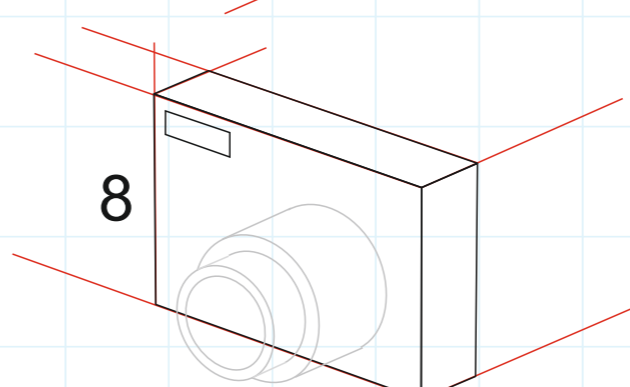
5



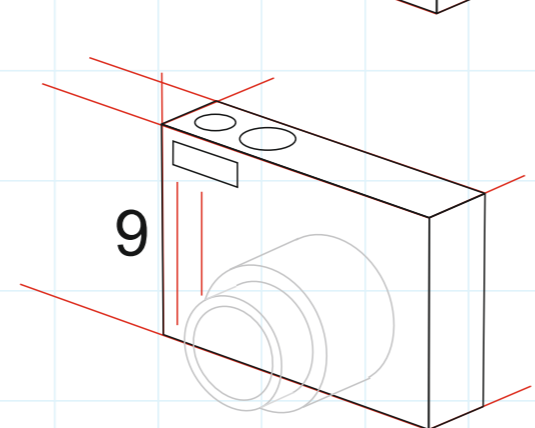
6



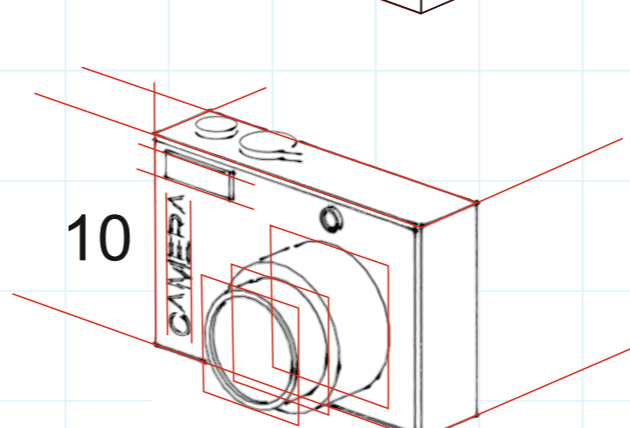
7



8



9



10

Isometric drawing is way of presenting designs/drawings in three dimensions. A design appears to be three dimensional because a 30 degree set square has been used. Designs drawn in isometric projection are normally drawn precisely using drawing equipment. However, designers find 'free hand' sketching in isometric projection useful.

