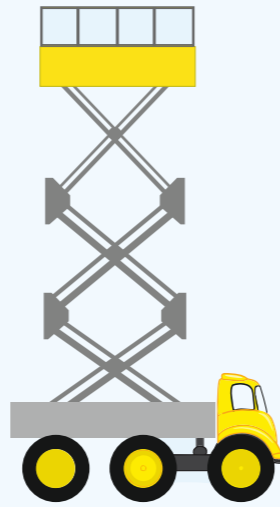
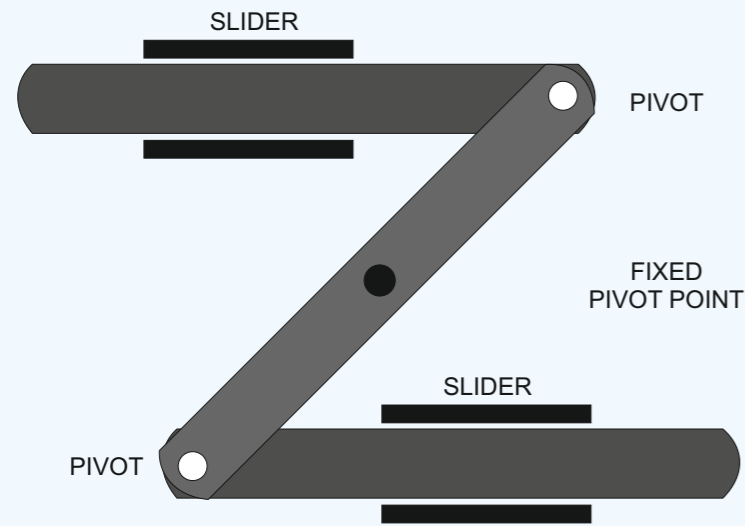
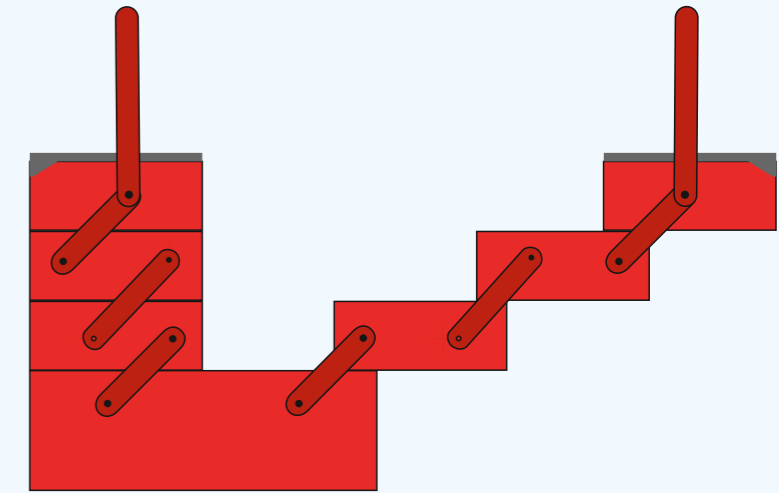
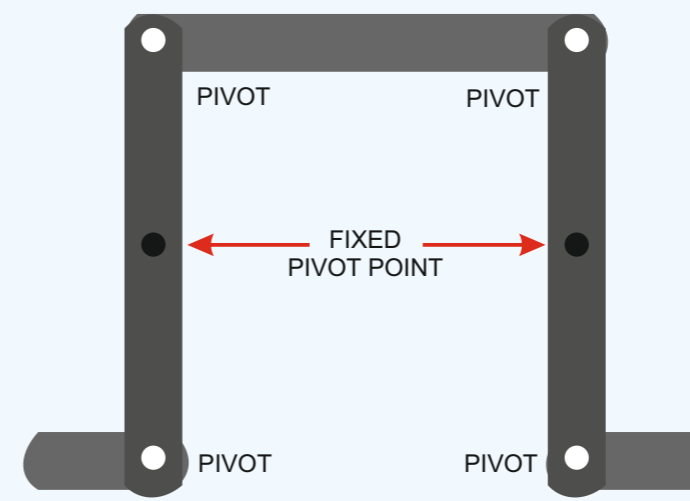


COMMON LINKAGE MECHANISMS

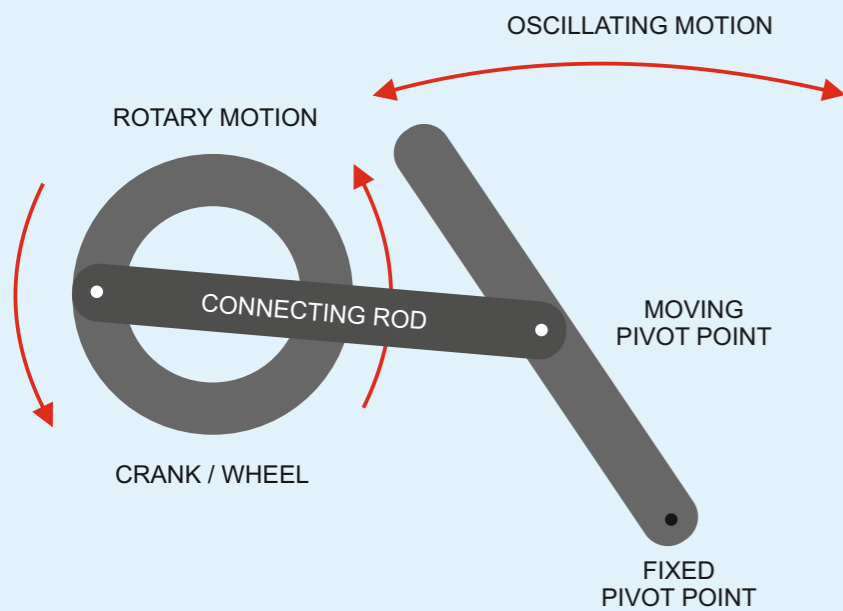
REVERSE MOTION LINKAGE



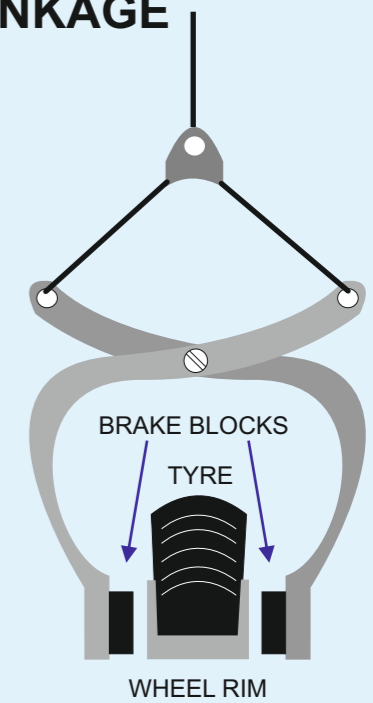
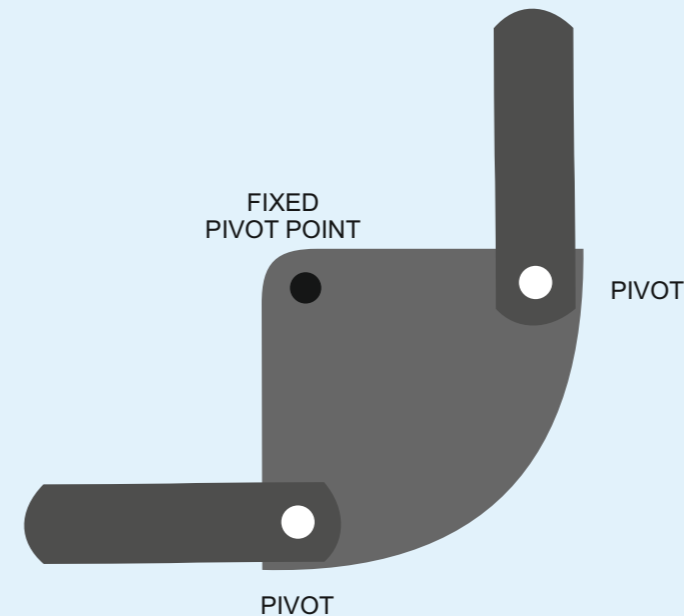
PARALLEL MOTION LINKAGE



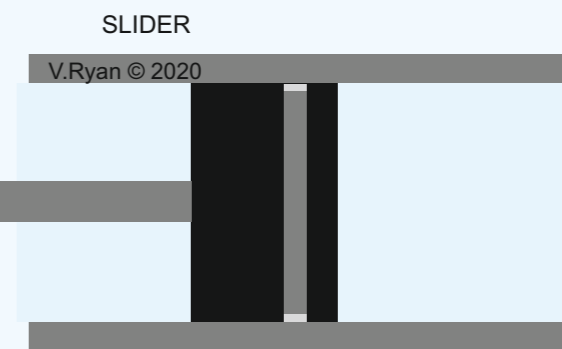
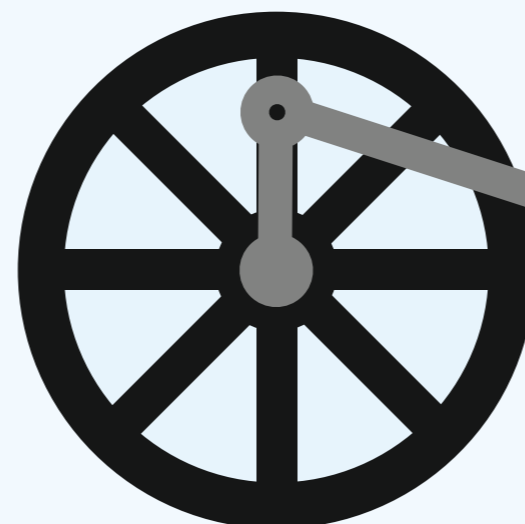
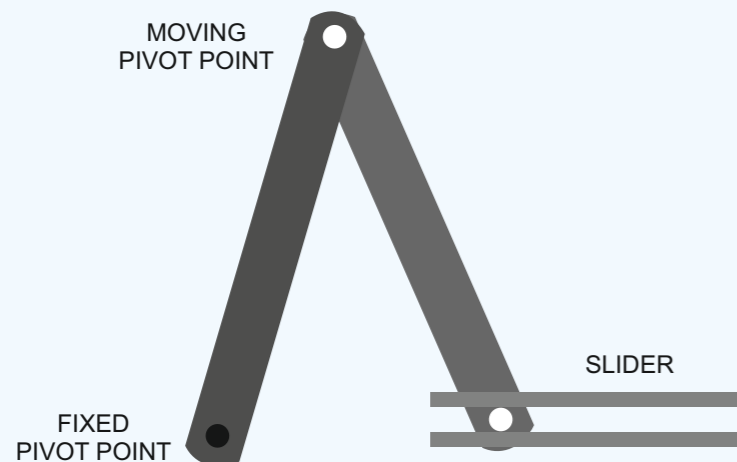
TREADLE LINKAGE



BELL CRANK LINKAGE



CRANK AND SLIDER LINKAGE



HELPFUL LINK



HELPFUL LINK: <https://technologystudent.com/cams/camdex.htm>