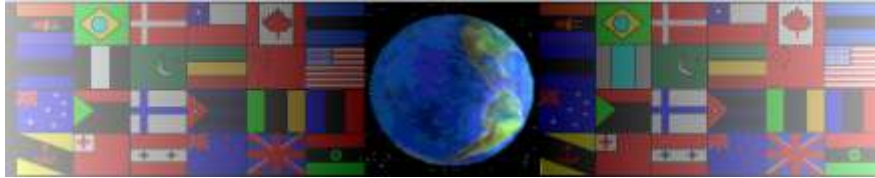


ESTIMATED TWO POINT PERSPECTIVE DRAWING

V.Ryan © 2000 - 2012

On behalf of The World Association of Technology Teachers

W.A.T.T.



World Association of Technology Teachers

This exercise can be printed and used by teachers and students. It is recommended that you view the website (www.technologystudent.com) before attempting the design sheet .

THESE MATERIALS CAN BE PRINTED AND USED BY TEACHERS AND STUDENTS.
THEY MUST NOT BE EDITED IN ANY WAY OR PLACED ON ANY OTHER MEDIA INCLUDING WEB SITES AND INTRANETS.
NOT FOR COMMERCIAL USE.
THIS WORK IS PROTECTED BY COPYRIGHT LAW.
IT IS ILLEGAL TO DISPLAY THIS WORK ON ANY WEBSITE/MEDIA STORAGE OTHER THAN www.technologystudent.com

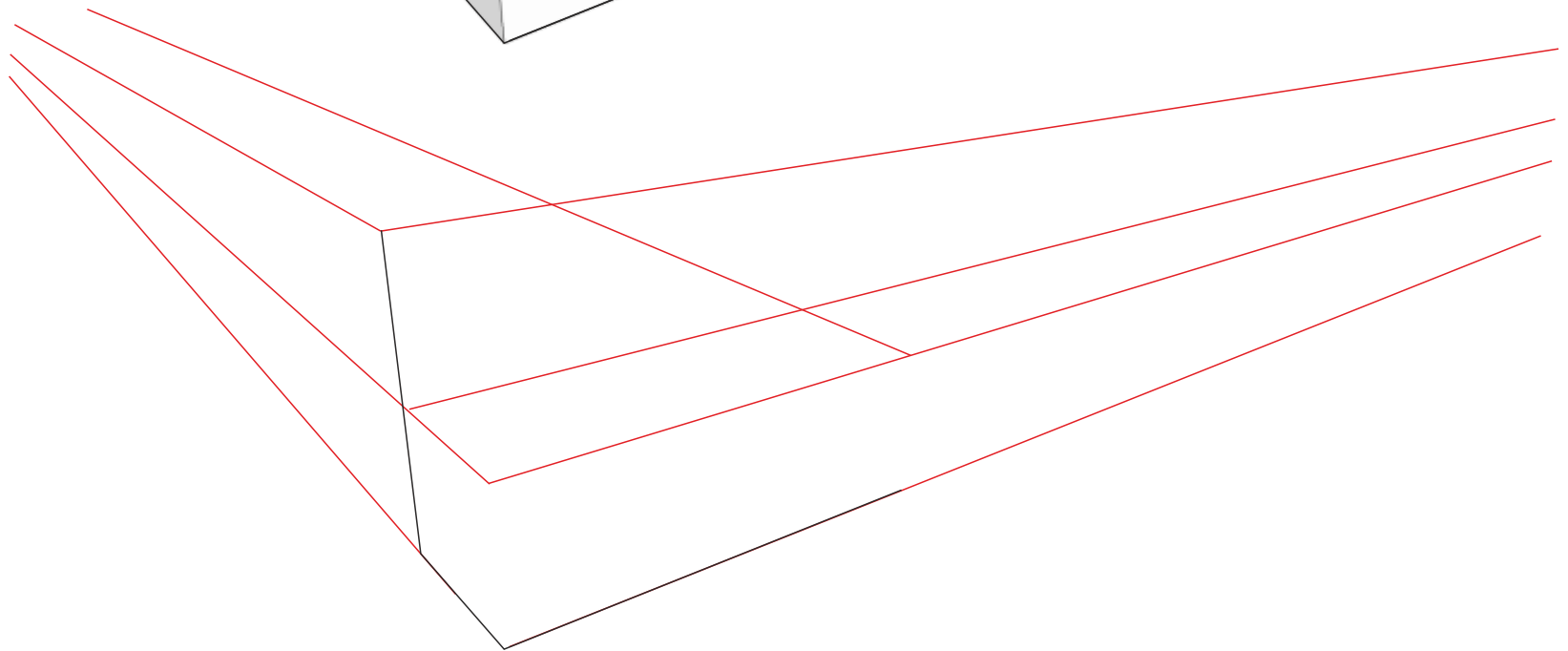
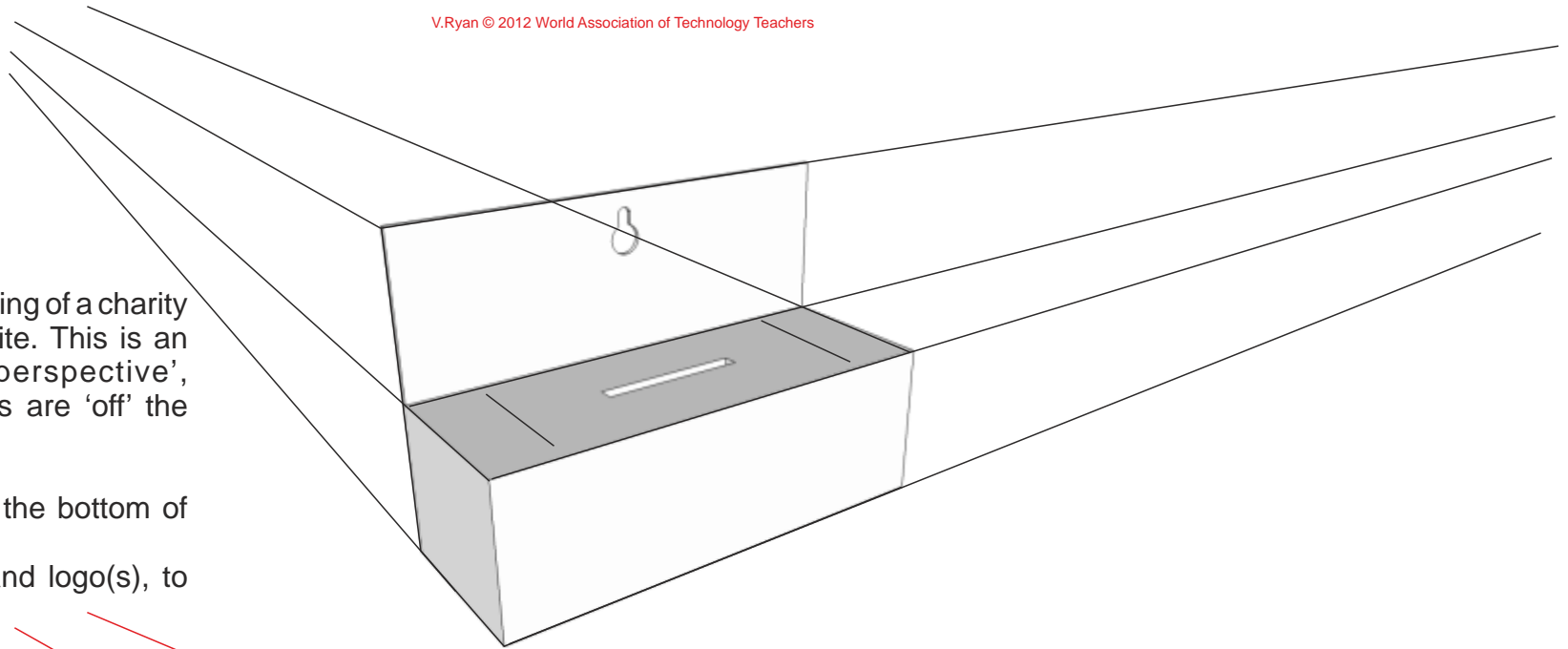
ESTIMATED TWO POINT PERSPECTIVE DRAWING

V.Ryan © 2012 World Association of Technology Teachers

A completed perspective drawing of a charity collection box is seen opposite. This is an example of 'estimated perspective', because the vanishing points are 'off' the page.

Complete the perspective at the bottom of the page.

Add suitable colour, shade and logo(s), to reflect a charity of your choice.



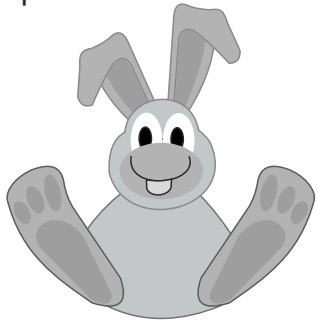
ESTIMATED TWO POINT PERSPECTIVE DRAWING - WITH GRAPHICS

V.Ryan © 2012 World Association of Technology Teachers

A completed perspective drawing of a charity collection box is seen opposite. This is an example of 'estimated perspective', because the vanishing points are 'off' the page.

1. Complete the perspective at the bottom of the page.

2. Add the charity logo drawn below, to the background, in perspective.



3. Add the charity's title 'RESCUE UNWANTED PETS', in block capital letters, to the front of the box. The title should be in perspective, with faint guidelines to ensure each letter is printed accurately.

