

# KNOCK-DOWN JOINTS

V.Ryan © 2000 - 2008

On behalf of The World Association of Technology Teachers

## W.A.T.T.



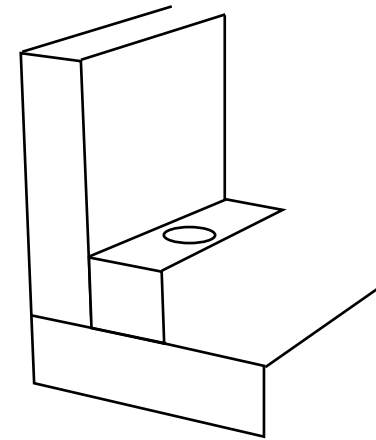
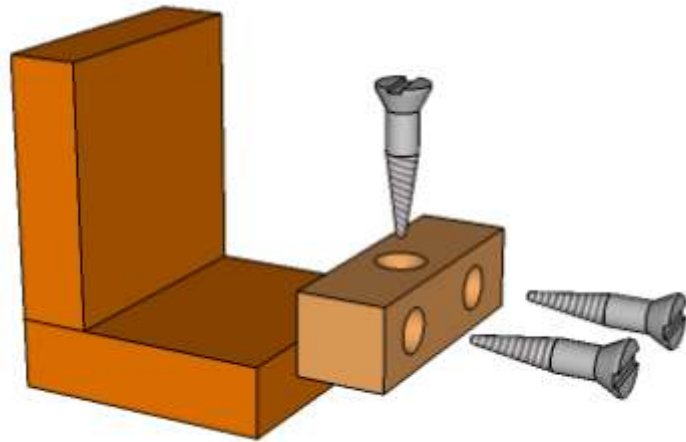
World Association of Technology Teachers

The 'Joint Exercise' can be printed and used by teachers and students. It is recommended that you view the website ([www.technologystudent.com](http://www.technologystudent.com)) before attempting the design sheet.

THESE MATERIALS CAN BE PRINTED AND USED BY TEACHERS AND STUDENTS.  
THEY MUST NOT BE EDITED IN ANY WAY OR PLACED ON ANY OTHER MEDIA INCLUDING WEB SITES AND INTRANETS.  
NOT FOR COMMERCIAL USE.  
THIS WORK IS PROTECTED BY COPYRIGHT LAW.  
IT IS ILLEGAL TO DISPLAY THIS WORK ON ANY WEBSITE/MEDIA STORAGE OTHER THAN [www.technologystudent.com](http://www.technologystudent.com)

## KNOCK-DOWN JOINTS

The drawing below shows a typical knock-down joint called a corner block. Complete the fully assembled version with the screws fastened in position.



1. Why are knock-down joints used for furniture especially self-assembly furniture?

---

---

---

---

2. What tools are normally required by an unskilled person to put together self-assembly / flat pack furniture?

---

---

---

SKETCH AN ALTERNATIVE KNOCK-DOWN JOINT BELOW

---

---